

A healthy body starts here

# REFILL HERE

The revolutionary permanent, indoor/outdoor water bottle refill station

Sydney WATER

tapsydney.com.au



## Amazing Data

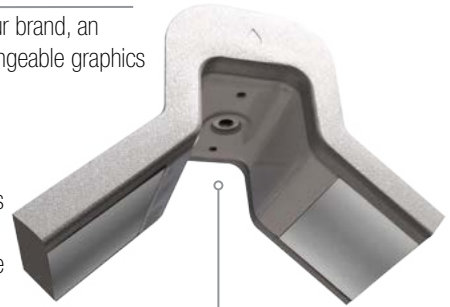
Each unit has a digital flow meter recording usage and activity. In 2017 units will also incorporate remote water data monitoring, leak detection, usage figures, scheduled reporting (daily, weekly, monthly) and sustainability information.

## Graphics and Branding

Meet PAT products are defined by their unique ability to promote your brand, an image or message. Each product is designed having simple interchangeable graphics panels with you controlling the look. Dress up PAT!

## How's the water?

Beautiful!! All Meet Pat water stations come fitted industry approved drink safe plumbing components. They are fitted with a 5 micron carbon water filter as standard which is easy to remove if not required or replaced.



## "No touch" nozzle design

Prevents bottle rim from coming into contact with the nozzle.

## Water Window

Accessible from both sides and has a bottle rest for single handed operation. If you're a mum holding a bub or you've just got one hand occupied, this is for you! Recognizable bottle shape with a splash reducing cross mesh drain cover.

## Accessibility

Disability accessible and child friendly design. Soft touch taps, with lower side tap and wheel up access.

## Splash Free Drainage

Unique X splash reducing mesh cover.



## How Strong?

Meet PAT permanent products have a tough skin and strong bones. Units have up to 8mm thick galvanized and powder coated steel chassis hidden within the units. They are mounted to a powder coated steel bollard and secured with stainless steel screws. The graphics panels are made from impact proof, 5-7 year UV resistant 6mm polycarbonate sheeting. The external chassis is made from heavy duty aluminum, powder coated with dulux industrial coating with marine grade 316 stainless steel components.

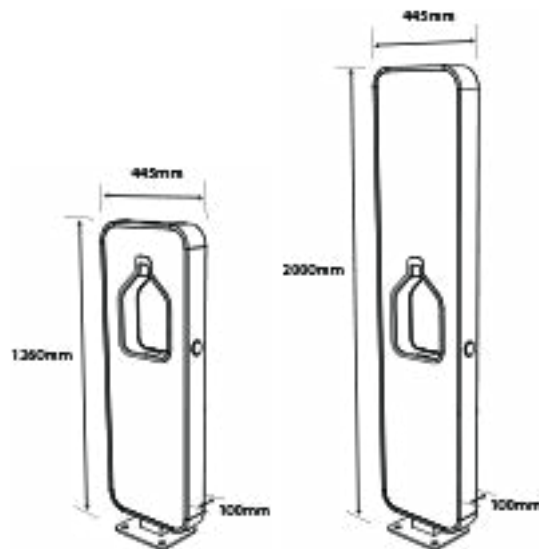
## This Way or That

Many different plumbing and mounting options to cater for a wide range of installation budgets. Including sub-surface drainage pit and dog bowl mounting.



All Meet PAT products are designed and manufactured in Australia

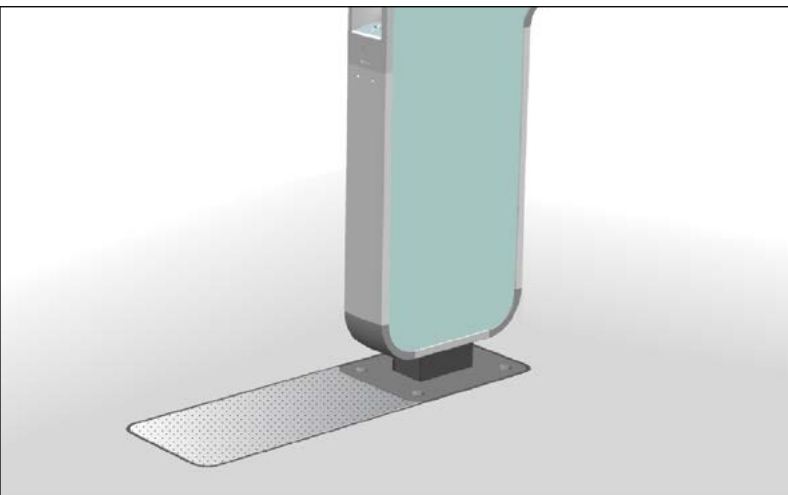
# OPTIONS



Sticking with our ethos of accessibility, Meet PAT permanent products are designed in a unique way. This enables multiple configurations including two height variants of 1300mm and 1900mm.



In-ground dog bowl with foot activation



Sub-surface drainage pit



## See the Light

Optional solar powered  
Panel illumination  
Battery recharging



## MEET PAT™ | PRODUCTS AND THINGS PTY LTD | MEETPAT.COM.AU

HEAD OFFICE: Level 1, 419 Townsend Street, Albury, NSW, 2640, Australia  
Phone: (02) 60217813, +61260217813 Email: sales@meetpat.com.au

## MEET PAT NZ LIMITED

Bethlehem Road, Bethlehem 3110 Tauranga  
Phone: 6478082264

All information and images contained in the document are © Meet PAT™ - Products and Things Pty Ltd (as a trustee for Meet Pat Unit Trust) or their respective owners. They are not used without consent from Meet PAT™. As improvements in the design and performance of Meet PAT products are continuous, specifications may be subject to change without notice. This technical sheet is copyright and owned by Meet PAT™ - Products and Things Pty Ltd (as a trustee for Meet Pat Unit Trust) ABN 42634465637. All rights are reserved. All products and sales are subject to Meet PAT™ terms and conditions.