

# PERMANENT INDOOR WITH CHILLER UNIT - PRE-INSTALLATION CHECK GUIDE



Here is a quick start guide to determine location and suitability of a Meet PAT product including a pre-check of installation requirements.

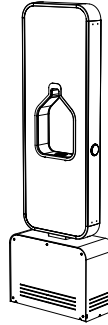
For full instruction book, warranty and technical details, refer to [www.meetpat.com.au](http://www.meetpat.com.au)

Unit to be installed by licensed plumber.

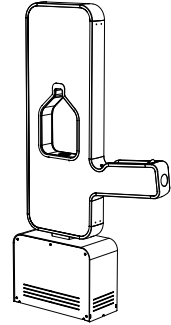
## Where can I install this unit?

Any indoor or undercover outdoor locations. Chiller box cannot be exposed to elements (eg. Cannot get wet from rain)

## Which units are covered in this document?



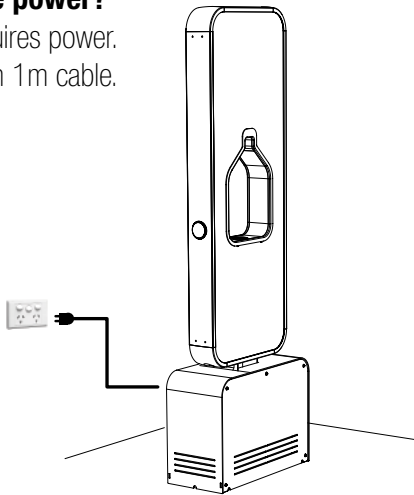
MP-RS-01-C



MP-TO-01-C

## Do you require power?

Yes, this unit requires power.  
Unit supplied with 1m cable.



## How much floor space is needed?

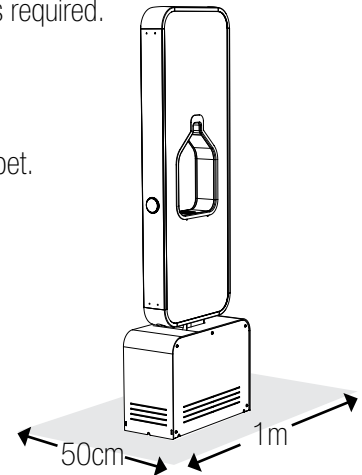
1m width x 50cm depth is required.

### Ground Surface

Any hard surface.  
Concrete, tiles, timber, carpet.

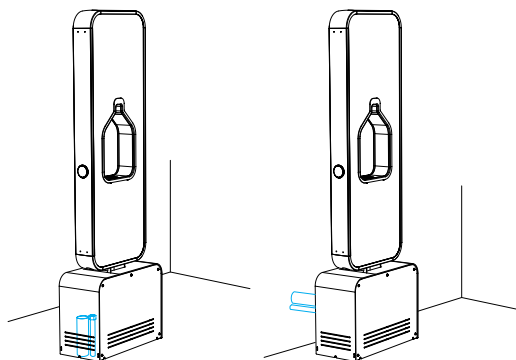
### Securing

Unit can stand freely  
or be screwed to flooring.



## Plumbing

Drainage and water connection is required.



Option 1: Up through bottom of unit

Option 2: Out through back/side of unit.

## Location Options

Unit can be mounted in a number of locations and orientations.

