

PERMANENT DRINKING FOUNTAIN

PAT Permanent is everything that's good about PAT portable built for fixed use. Happy to hang around of long periods of time, the revolutionary water refill station system which provides fresh drinking water to sporting events, schools and festivals can now be securely and permanently installed in 3 distinct arrangements.

Water Window and Catch

Symbolic shape constructed from aluminium and marine grade stainless steel. Hygienic easy clean with replaceable drain cover.

Tough and Strong

// Chassis is 5mm thick galvanised and powder coated steel hidden within the units.
 // The units are mounted to a 8mm powder coated steel bollard.
 // Graphics panels are made from clear high impact, spray paint, uv and scratch resistant polycarbonate sheet.

Vandal and Graffiti Proof

// The graphics are back printed to prevent scratching on the front face and can be recycled after use.
 // The external chassis is made from heavy duty aluminium, powder coated with dulux industrial coating with marine grade 316 stainless steel components.

Water Meter

Inbuilt digital water flow meter with read out. See how much water is consumed or plastic bottles saved during an event.

Wheel Chair Accessible

Lower, easy to press stainless steel taps and accessible drinking nozzles. Dual sided and compliant with AS 1428.1 2009

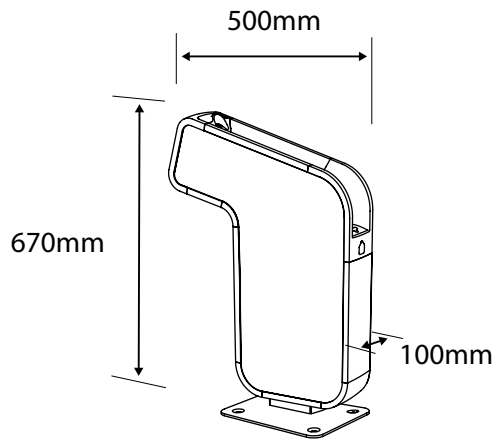
PAT Connect

Every PAT can be fitted with a wifi and bluetooth beacons as an optional extra. This allows users to engage with specific data, tailored push notification and location information.

Graphics Panels

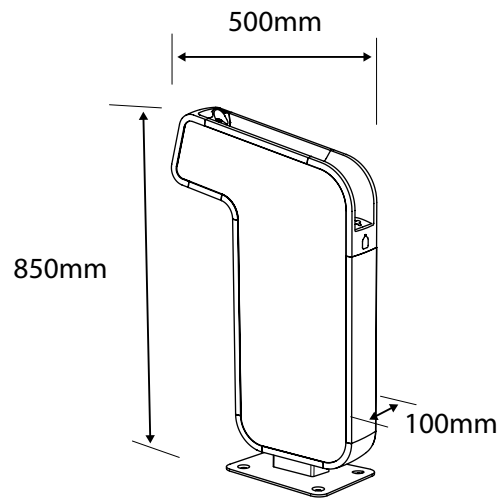
Removable and interchangeable branding. Each unit comes standard with custom printed artwork. Meet PAT provides artwork templates for your team to prepare or alternatively we can help.

TECHNICAL DATA



MP-DF-01-K

KIDS



MP-DF-01

REGULAR

Mounting Options	1. Fixed at base 2. Edge mounted
Indoor/Outdoor	Suitable for both indoor and outdoor applications.
Tapware/Push Buttons	316 stainless steel Easy-press stainless steel buttons.
Versatile	PAT permanent can mount over the existing tap or outlet. Optional water outlet can be included the base of the unit accessible via security tap (key) on side of unit.
Chassis	Aluminium and galvanised mild steel
Graphics Panels	Polycarbonate. Custom printing supplied as standard.
Base Bollard	Powder coated mild steel. M10 Screws. Plate size: 280 x 220mm
Nozzle	316 stainless steel
Water Pressure	Max. 600kpa operating pressure
Filter	5 micron carbon filter
Flow Rate	5L per minute (pressure dependent)
Power	None
Flow Meter	Digital in litres
Minimum Working Temp	1°C
Water Supply Connection	1/2" inch supply line with 1/2" inch male compression fitting
Drainage	50mm PVC preferred (drainage can be customised based on location).
Warranty	3 Year (refer to Meet PAT warranty documentation for details)

Meet PAT™ products must be installed in accordance with the provisions of AS/NZS3500 and any relevant local regulations. Installations not complying with AS/NZS3500 may void the product and performance warranty provisions. All information and images contained in the document are © Meet PAT™ - Products and Things Pty Ltd (as a trustee for Meet Pat Unit Trust) or their respective owners. They are not be used without consent from Meet PAT™. As improvements in the design and performance of Meet PAT products are continuous, specifications may be subject to change without notice. This technical sheet is copyright and owned by Meet PAT™ - Products and Things Pty Ltd (as a trustee for Meet Pat Unit Trust) ABN 42634465637. All rights are reserved.