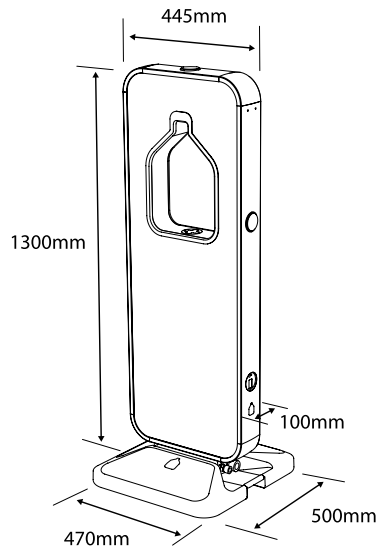


## PORTABLE REFILL STATION

The world-class portable Water Bottle Refill Station and Drinking Fountain. Lightweight with interchangeable advertising space to promote your message. Single person set up and assembly. Units can join together in a series to form versatile water walls.

<b>Water Window and Catch</b>	Symbolic shape constructed from aluminium and marine grade stainless steel. Hygienic easy clean with replaceable drain cover.
<b>Interconnecting</b>	PAT portable units are designed to interconnect together. Set up one, stand alone unit, or many to make a wall of water stations all running from the same water mains or tank.
<b>Portability</b>	Each unit is lightweight and stows away into a durable bag that carries all the unit's accessories. Unit has a water fillable plastic base for additional stability.
<b>Water Meter</b>	Inbuilt digital water flow meter with read out. See how much water is consumed or plastic bottles saved during an event.
<b>Wheel Chair Accessible</b>	Lower, easy to press stainless steel taps and accessible drinking nozzles. Dual sided and compliant with AS 1428.1 2009
<b>Graphics Panels</b>	Removable and interchangeable branding. Each unit comes standard with custom printed artwork. Meet PAT provides artwork templates for your team to prepare or alternatively we can help.



## MP-P-02

### REGULAR

<b>Indoor/Outdoor</b>	Suitable for both indoor and outdoor applications.
<b>Weight</b>	20kg
<b>Tapware/Push Buttons</b>	316 stainless steel easy-press buttons.
<b>Chassis</b>	Aluminium and galvanised mild steel
<b>Graphics Panels</b>	Polycarbonate. Custom printing supplied as standard.
<b>Base</b>	Rotational moulded HDPE. Can be filled with water for additional stability.
<b>Nozzle</b>	316 stainless steel
<b>Bag</b>	Full wheelie bag which houses unit and all components .
<b>Water Pressure</b>	Max. 600kpa operating pressure
<b>Filter</b>	5 micron carbon filter
<b>Flow Rate</b>	5L per minute (pressure dependent)
<b>Power</b>	None
<b>Flow Meter</b>	Digital in litres
<b>Minimum Working Temp</b>	1°C
<b>Water Supply Connection</b>	1/2 or 3/4" (Can be connected to a portable water supply or tank)
<b>Water Hosing</b>	10mm x 10m
<b>Drainage Hosing</b>	12mm x 4m
<b>Warranty</b>	1 Year (refer to Meet PAT warranty documentation for details)

Meet PAT™ products must be installed in accordance with the provisions of AS/NZS3500 and any relevant local regulations. Installations not complying with AS/NZS3500 may void the product and performance warranty provisions. All information and images contained in the document are © Meet PAT™ - Products and Things Pty Ltd (as a trustee for Meet Pat Unit Trust) or their respective owners. They are not be used without consent from Meet PAT™. As improvements in the design and performance of Meet PAT products are continuous, specifications may be subject to change without notice. This technical sheet is copyright and owned by Meet PAT™ - Products and Things Pty Ltd (as a trustee for Meet Pat Unit Trust) ABN 42634465637. All rights are reserved.