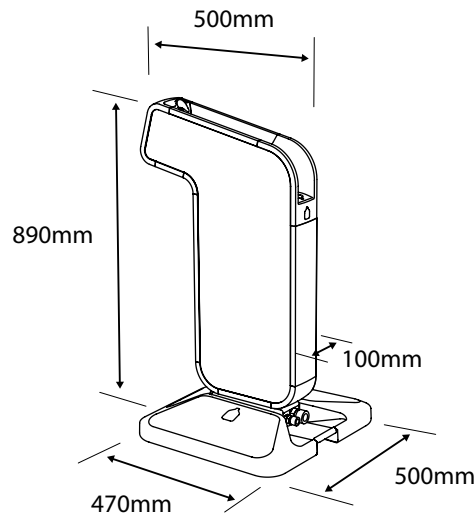


PORTABLE DRINKING FOUNTAIN

The world-class portable Water Bottle Refill Station and Drinking Fountain. Lightweight with interchangeable advertising space to promote your message. Single person set up and assembly. Units can join together in a series to form versatile water walls.

Water Window and Catch	Symbolic shape constructed from aluminium and marine grade stainless steel. Hygienic easy clean with replaceable drain cover.
Interconnecting	PAT portable units are designed to interconnect together. Set up one, stand alone unit, or many to make a wall of water stations all running from the same water mains or tank.
Portability	Each unit is lightweight and stows away into a durable bag that carries all the unit's accessories. Unit has a water fillable plastic base for additional stability.
Water Meter	Inbuilt digital water flow meter with read out. See how much water is consumed or plastic bottles saved during an event.
Wheel Chair Accessible	Lower, easy to press stainless steel taps and accessible drinking nozzles. Dual sided and compliant with AS 1428.1 2009
PAT Connect	Every PAT can be fitted with a wifi and bluetooth beacons as an optional extra. This allows users to engage with specific data, tailored push notification and location information.
Graphics Panels	Removable and interchangeable branding. Each unit comes standard with custom printed artwork. Meet PAT provides artwork templates for your team to prepare or alternatively we can help.

TECHNICAL DATA



MP-PDF-02

REGULAR

Indoor/Outdoor	Suitable for both indoor and outdoor applications.
Weight	13kg
Tapware/Push Buttons	316 stainless steel Easy-press stainless steel buttons.
Chassis	Aluminium and galvanised mild steel
Graphics Panels	Polycarbonate. Custom printing supplied as standard.
Base	Rotational moulded HDPE. Can be filled with water for additional stability.
Nozzle	316 stainless steel
Water Pressure	Max. 600kpa operating pressure
Filter	5 micron carbon filter
Flow Rate	5L per minute (pressure dependent)
Power	None
Flow Meter	Digital in litres
Minimum Working Temp	1°C
Water Supply Connection	1/2" inch supply line with 1/2" inch male compression fitting (Can be connected to a portable water supply or tank)
Water Hosing	12mm x 10m
Drainage Hosing	12mm x 2m
Warranty	1 Year (refer to Meet PAT warranty documentation for details)

Meet PAT™ products must be installed in accordance with the provisions of AS/NZS3500 and any relevant local regulations. Installations not complying with AS/NZS3500 may void the product and performance warranty provisions. All information and images contained in the document are © Meet PAT™ - Products and Things Pty Ltd (as a trustee for Meet Pat Unit Trust) or their respective owners. They are not to be used without consent from Meet PAT™. As improvements in the design and performance of Meet PAT products are continuous, specifications may be subject to change without notice. This technical sheet is copyright and owned by Meet PAT™ - Products and Things Pty Ltd (as a trustee for Meet Pat Unit Trust) ABN 42634465637. All rights are reserved.