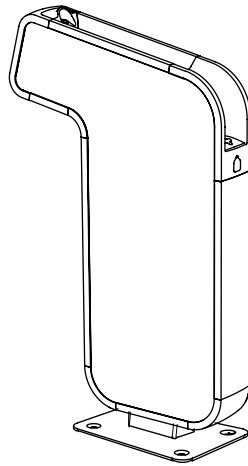




# PERMANENT DRINKING FOUNTAIN

## MP-DF-01



# INFORMATION BOOKLET

# DISCLAIMER AND SAFETY

Here at Meet PAT™ we are very safety conscious. We design and manufacture water related products with the safety of you, the user, foremost in mind. In addition, we ask that you exercise a degree of care when using any Meet PAT™ product.

---

## IMPORTANT SAFEGUARDS FOR YOUR MEET PAT UNITS

---

- Carefully read all instructions before operation and save them for future reference.
- Find a suitable location for setting up the units.
- Do not set the units up near live exposed electrical connections or wiring.
- Check the quality and potability of the water source and that there is correct pressure.
- Set up all connections before turning on the water supply.
- Once the water supply is turned on check each unit's connections for leakages. If a leakage is found turn off the water supply and remove the pressure from the units by pressing the refill buttons. Unplug the leaking connection and check for damage or dirt. Do not use if any leaks are prevalent.
- Units can be heavy to install, use the appropriate number of people and equipment.
- Ensure the units are regularly cleaned and serviced.
- If applicable, ensure the water filters are replaced as required.

---

*Meet PAT™ takes no responsibility for suitability of install location, clearance for traffic, pedestrians or other clearance requirements. Meet PAT™ recommends that the chosen locations are reviewed for OHS and suitable other parties (including council) to ensure compliance. Meet PAT™ takes no responsibility for the structural integrity of the mounting surface chosen and recommends consultation with an engineer or suitable other parties prior to mounting.*

---

For individual material, component or further installation details, please contact Meet PAT™ sales. Meet PAT units have a maximum working pressure of 6 bar - 600kpa (87 psi/ 0.6MPa). Customer or installer to check pressure and install pressure relief valve on supply side if required.

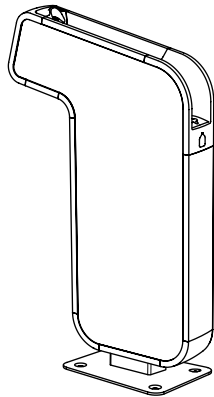
---

Meet PAT™ products must be installed in accordance with the provisions of AS/NZS3500 and any relevant local regulations. Installations not complying with AS/NZS3500 may void the product and performance warranty provisions.

---

***All recommendations within this document should be used as a guide only. Users and installers should seek suitable assistance to ensure units comply with all standards and are safe for use.***

---

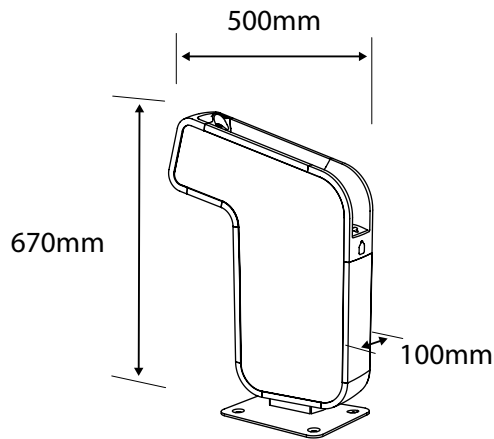


## PERMANENT DRINKING FOUNTAIN

**PAT Permanent is everything that's good about PAT portable built for fixed use. Happy to hang around of long periods of time, the revolutionary water refill station system which provides fresh drinking water to sporting events, schools and festivals can now be securely and permanently installed in 3 distinct arrangements.**

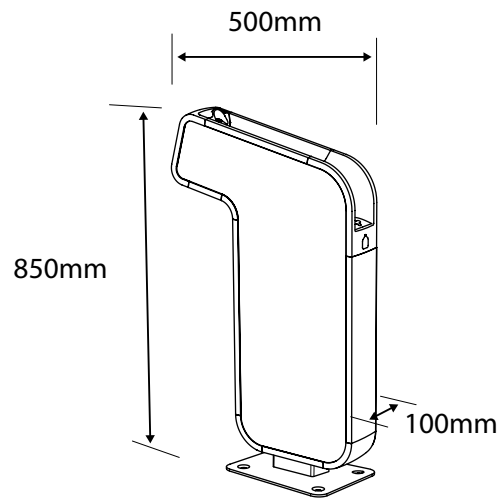
<b>Water Window and Catch</b>	Symbolic shape constructed from aluminium and marine grade stainless steel. Hygienic easy clean with replaceable drain cover.
<b>Tough and Strong</b>	// Chassis is 5mm thick galvanised and powder coated steel hidden within the units. // The units are mounted to a 8mm powder coated steel bollard. // Graphics panels are made from clear high impact, spray paint, uv and scratch resistant polycarbonate sheet.
<b>Vandal and Graffiti Proof</b>	// The graphics are back printed to prevent scratching on the front face and can be recycled after use. // The external chassis is made from heavy duty aluminium, powder coated with dulux industrial coating with marine grade 316 stainless steel components.
<b>Water Meter</b>	Inbuilt digital water flow meter with read out. See how much water is consumed or plastic bottles saved during an event.
<b>Wheel Chair Accessible</b>	Lower, easy to press stainless steel taps and accessible drinking nozzles. Dual sided and compliant with AS 1428.1 2009
<b>PAT Connect</b>	Every PAT can be fitted with a wifi and bluetooth beacons as an optional extra. This allows users to engage with specific data, tailored push notification and location information.
<b>Graphics Panels</b>	Removable and interchangeable branding. Each unit comes standard with custom printed artwork. Meet PAT provides artwork templates for your team to prepare or alternatively we can help.

# TECHNICAL DATA



**MP-DF-01-K**

KIDS



**MP-DF-01**

REGULAR

<b>Mounting Options</b>	1. Fixed at base 2. Edge mounted
<b>Indoor/Outdoor</b>	Suitable for both indoor and outdoor applications.
<b>Tapware/Push Buttons</b>	316 stainless steel Easy-press stainless steel buttons.
<b>Versatile</b>	PAT permanent can mount over the existing tap or outlet. Optional water outlet can be included the base of the unit accessible via security tap (key) on side of unit.
<b>Chassis</b>	Aluminium and galvanised mild steel
<b>Graphics Panels</b>	Polycarbonate. Custom printing supplied as standard.
<b>Base Bollard</b>	Powder coated mild steel. M10 Screws. Plate size: 280 x 220mm
<b>Nozzle</b>	316 stainless steel
<b>Water Pressure</b>	Max. 600kpa operating pressure
<b>Filter</b>	5 micron carbon filter
<b>Flow Rate</b>	5L per minute (pressure dependent)
<b>Power</b>	None
<b>Flow Meter</b>	Digital in litres
<b>Minimum Working Temp</b>	1°C
<b>Water Supply Connection</b>	1/2" inch supply line with 1/2" inch male compression fitting
<b>Drainage</b>	50mm PVC preferred (drainage can be customised based on location).
<b>Warranty</b>	3 Year (refer to Meet PAT warranty documentation for details)

Meet PAT™ products must be installed in accordance with the provisions of AS/NZS3500 and any relevant local regulations. Installations not complying with AS/NZS3500 may void the product and performance warranty provisions. All information and images contained in the document are © Meet PAT™ - Products and Things Pty Ltd (as a trustee for Meet Pat Unit Trust) or their respective owners. They are not be used without consent from Meet PAT™. As improvements in the design and performance of Meet PAT products are continuous, specifications may be subject to change without notice. This technical sheet is copyright and owned by Meet PAT™ - Products and Things Pty Ltd (as a trustee for Meet Pat Unit Trust) ABN 42634465637. All rights are reserved.

# CHOOSING THE RIGHT LOCATION

**Thank you for supporting the significant investment into providing public access to clean, free drinking water. Improving the level of amenity across public spaces as well as creating attractive, interactive and inviting spaces.**

**This document is to be used as a guide for selecting the best location for your MeetPAT unit.**

## USERS

MeetPAT believes the most important component to consider when installing a refill station or Drinking fountain is the user experience.

Before installation you should have consideration to the following:

- Visual prominence - Consider where the main traffic areas are and the best location for finding the unit from a distance.
- Sympathetic locations - Where possible try to avoid locating the unit right next to toilets to avoid unpleasant odours.
- Access - Users come in all different shapes and sizes. Ensure there is sufficient room around the unit for wheel chair access and traffic flow.

## WATER SUPPLY AND DRAINAGE

MeetPAT have designed a unique installation system, to give you many different positioning options. These options can allow you to install a unit very cost effectively with minimal infrastructure changes.

### **Water supply:**

- The unit can be connected to any existing potable water source with sufficient water pressure. Tank or mains pressure.
- The further the water supply is from the unit the higher the cost for installation.
- Consider reducing any visible pipe work as possible to prevent damage.

### **Drainage Access:**

- Storm-water and drainage - The unit can be connected into any existing connection and is usually a cost effective solution.
- Sewage pipe work - This is usually the most costly connection and is only recommended if there is no other option.
- Perforated drainage pipe - The drain can be connected to run off into garden beds. Your plumber can advise on the length and depth of this depending on the site.

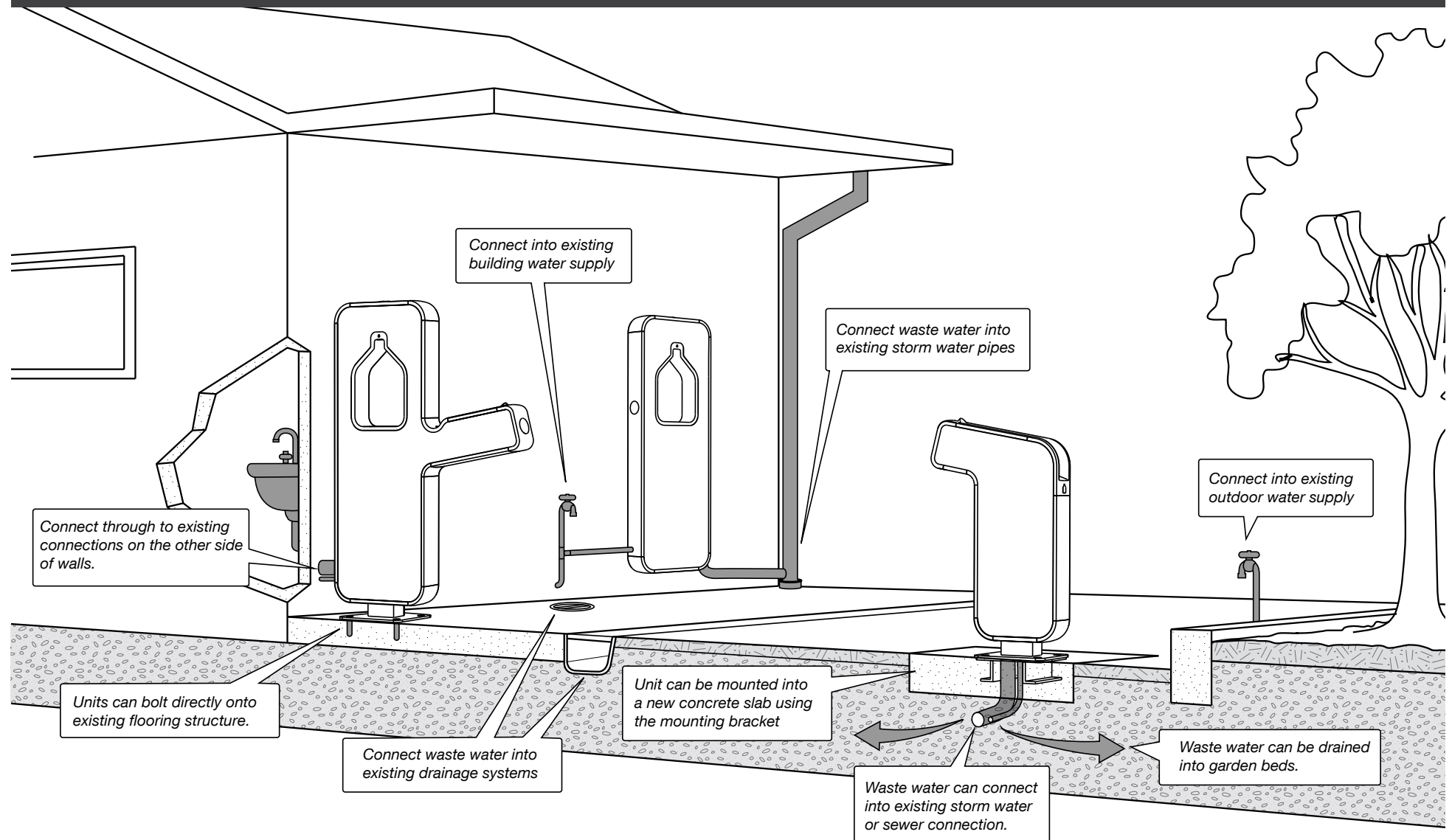
### **Other considerations:**

Here at MeetPAT we are very safety conscious. We design and manufacture water related products with the safety of you, the user, foremost in mind. In addition, we ask that you exercise a degree of care when installing any Meet Pat product and adhere to a common sense approach.

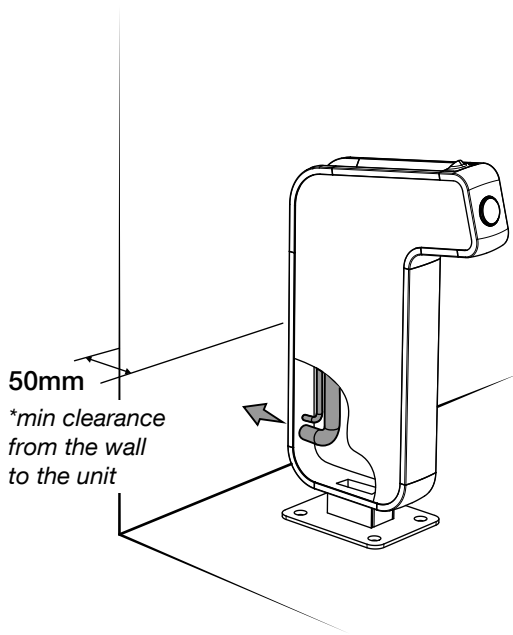
- Check for any electrical connections, cables or pipework before undertaking any installation.
- Consider other hazards near the unit: opening doors, proximity to road traffic, uneven and slippery ground, etc.

**Please refer to our website [www.meetpat.com.au](http://www.meetpat.com.au) for full terms and conditions and warranty info.**

# CHOOSING THE RIGHT LOCATION

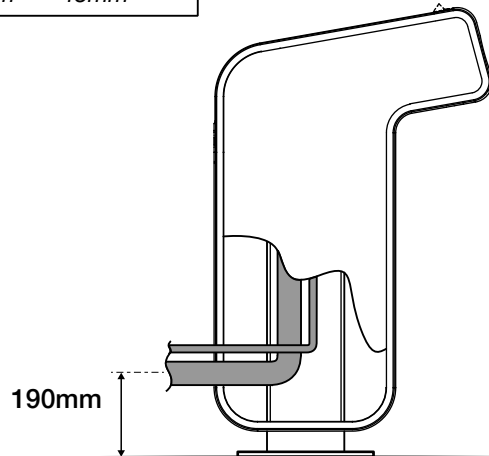


# MP-DF-01 - DRINKING FOUNTAIN - EDGE PLUMBING - INSTALLATION

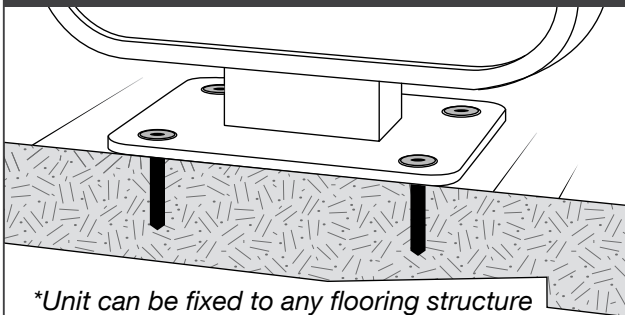


\*Two holes are required to be cut in the side of the unit for the plumbing.

25mm 45mm

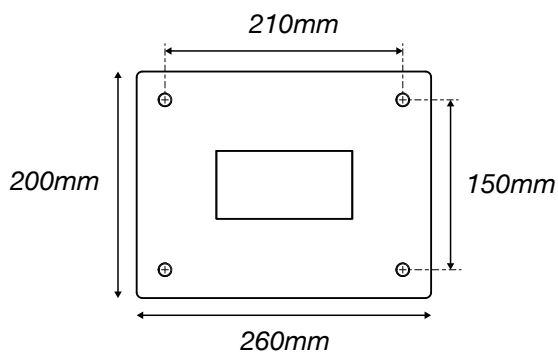


## Attaching to an existing structure

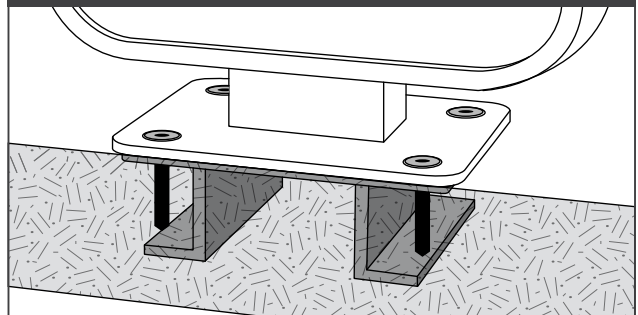


\*Unit can be fixed to any flooring structure  
Meetpat recommends 4 x M12 Countersunk Stainless Steel fasteners. **Not included.**  
Length and type of the fastener to be confirmed by installer.

## Base plate - sizing



## Embedding in concrete

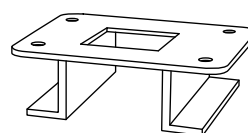


\*Unit can be embedded into a new concrete slab.  
Meetpat recommends a minimum slab size of 550W x 550L x 200mmD

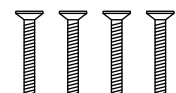
This may need to be increased or reinforced depending on sub surface conditions.  
Confirm with installer for suitable slab site.

**Please contact Meetpat for a installation kit.**

## Installation Kit - Not included

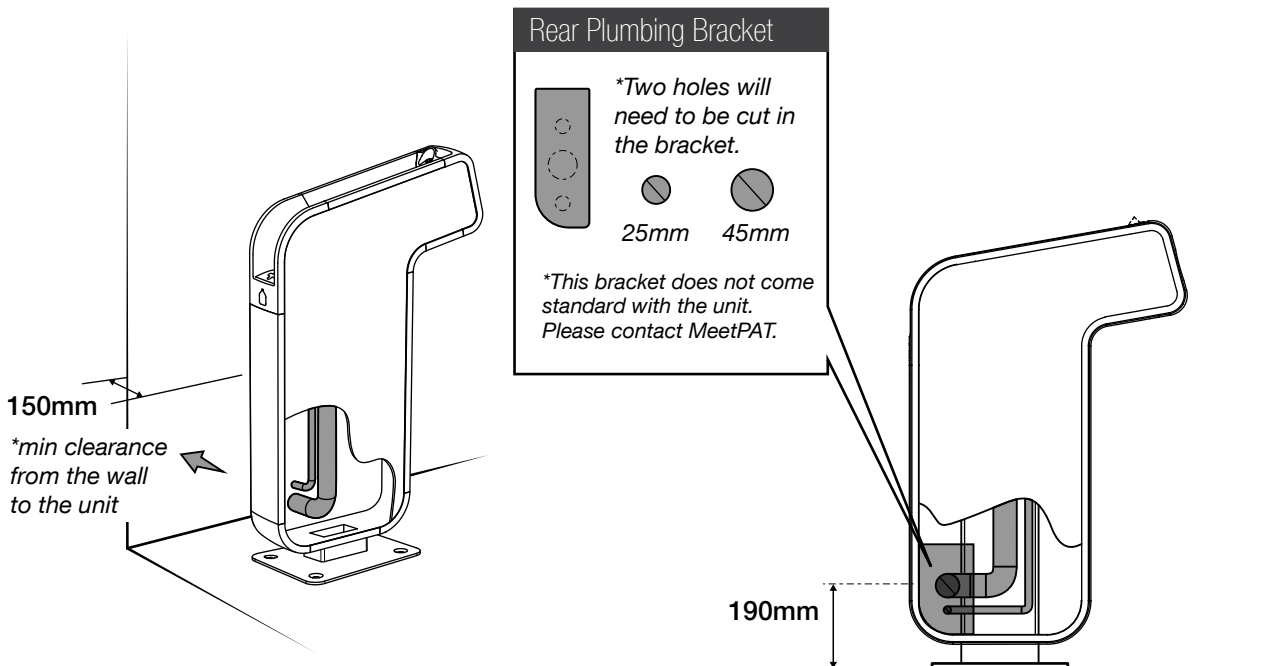


Mounting Plate

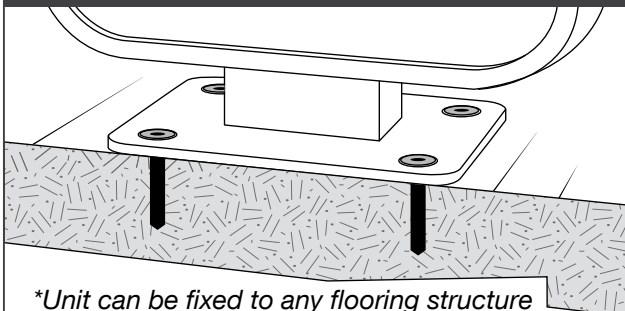


4 x M12 Stainless Steel bolts

# MP-DF-01 - DRINKING FOUNTAIN - REAR PLUMBING - INSTALLATION

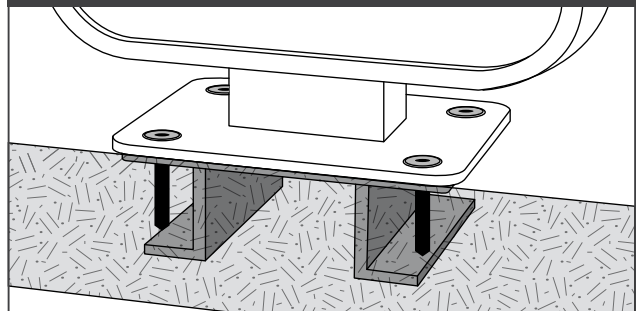


## Attaching to an existing structure



\*Unit can be fixed to any flooring structure  
Meetpat recommends 4 x M12 Countersunk Stainless Steel fasteners. Not included.  
Length and type of the fastener to be confirmed by installer.

## Embedding in concrete

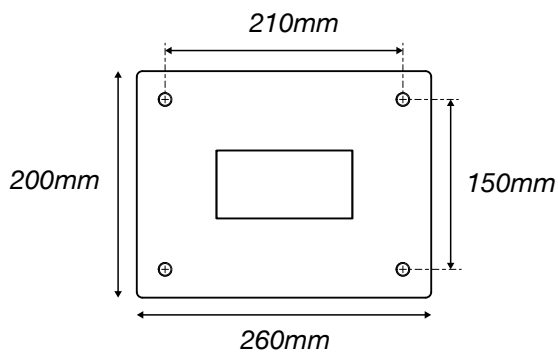


\*Unit can be embedded into a new concrete slab.  
Meetpat recommends a minimum slab size of 550W x 550L x 200mmD

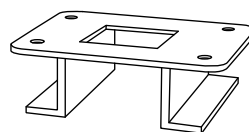
This may need to be increased or reinforced depending on sub surface conditions.  
Confirm with installer for suitable slab site.

**Please contact Meetpat for a installation kit.**

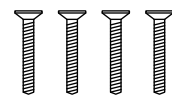
## Base plate - sizing



## Installation Kit - Not included



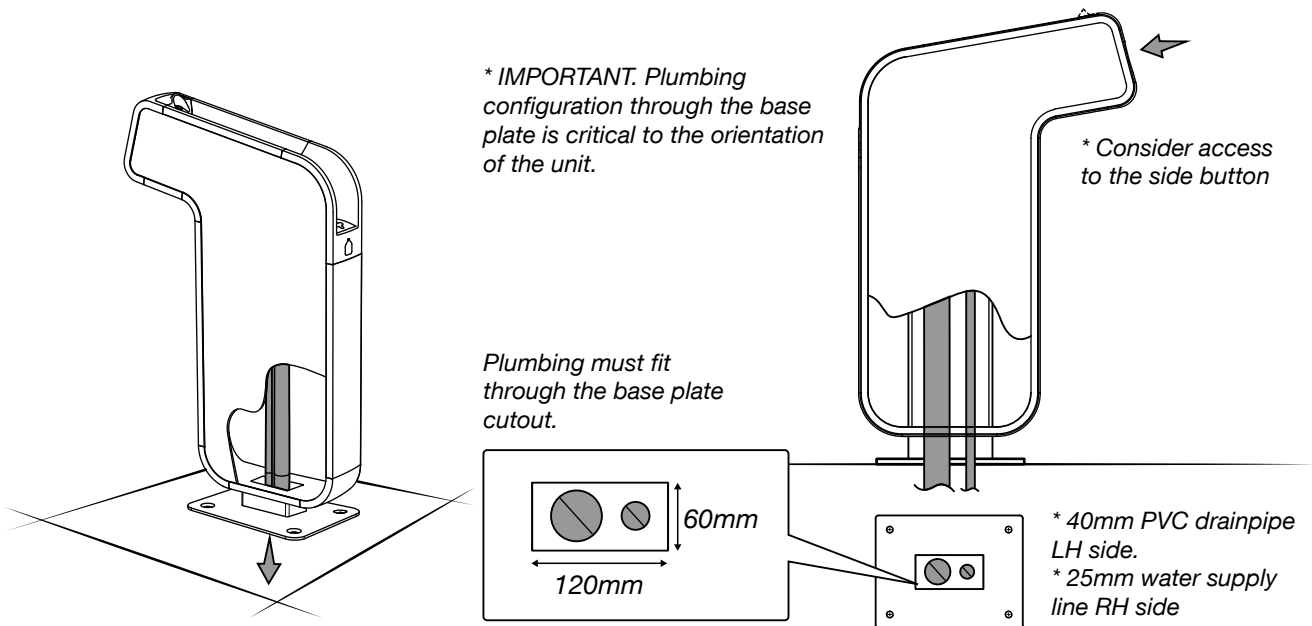
Mounting Plate



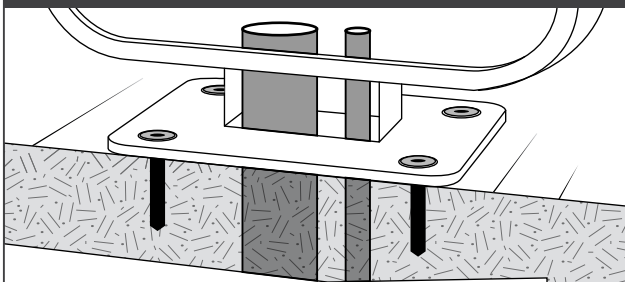
4 x M12 Stainless Steel bolts



# MP-DF-01 - DRINKING FOUNTAIN - BASE PLUMBING - INSTALLATION

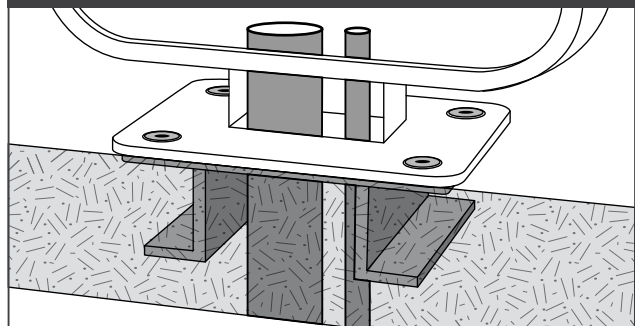


## Attaching to an existing structure



*\*Unit can be fixed to any flooring structure  
Meetpat recommends 4 x M12 Countersunk  
Stainless Steel fasteners. Not included.  
Length and type of the fastener to be confirmed  
by installer.*

## Embedding in concrete



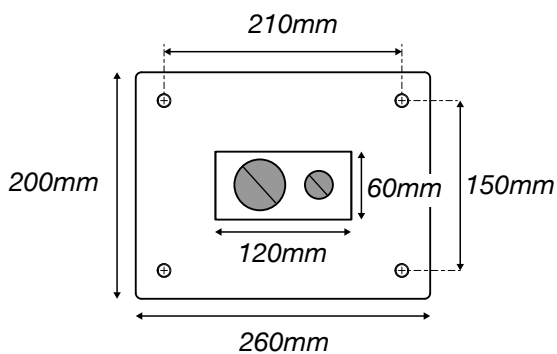
*\*Unit can be embedded into a new concrete slab.  
Meetpat recommends a minimum slab size of  
550W x 550L x 200mmD*

*This may need to be increased or reinforced  
depending on sub surface conditions.*

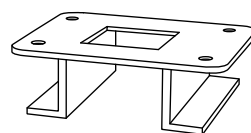
*Confirm with installer for suitable slab site.*

*Please contact Meetpat for a installation kit.*

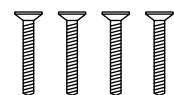
## Base plate - sizing



## Installation Kit - Not included

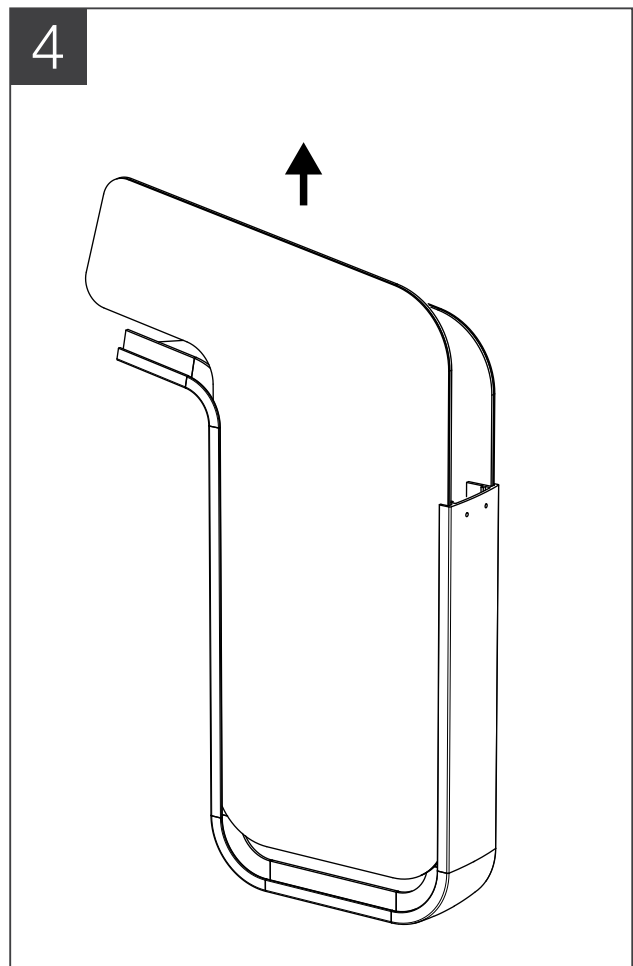
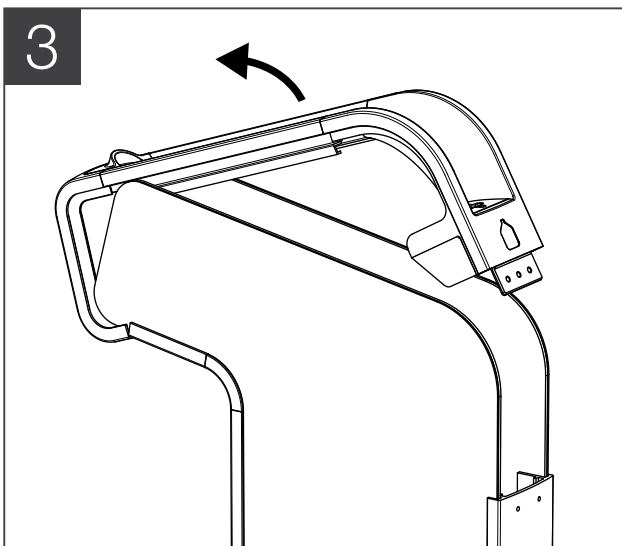
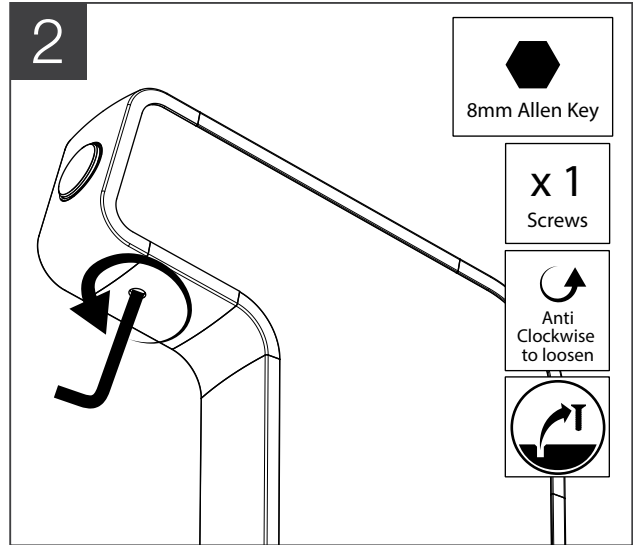
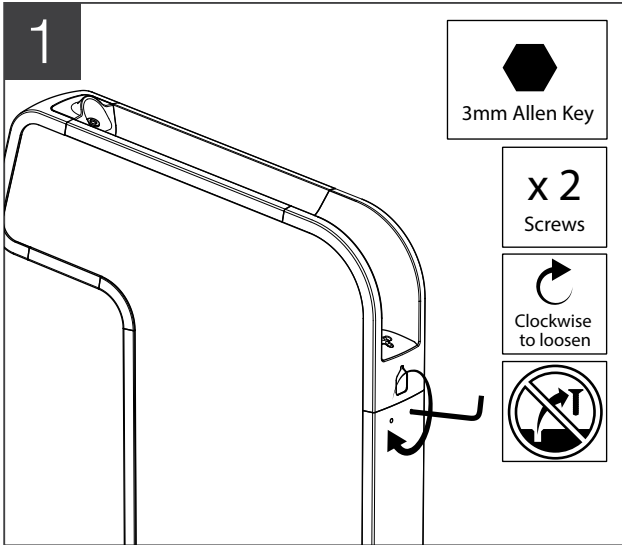


Mounting Plate



4 x M12 Stainless  
Steel bolts

# PANEL REPLACEMENT



## Putting it back together

All finished and need to put the unit back together?

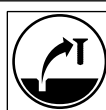
Follow the steps in reverse

**4,3,2,1**

*\* Remember to reattach any water pipes disconnected during disassembly.*



Only 3-4 turns to loosen do not unscrew completely.



Remove screw completely.

# FILTER REPLACEMENT

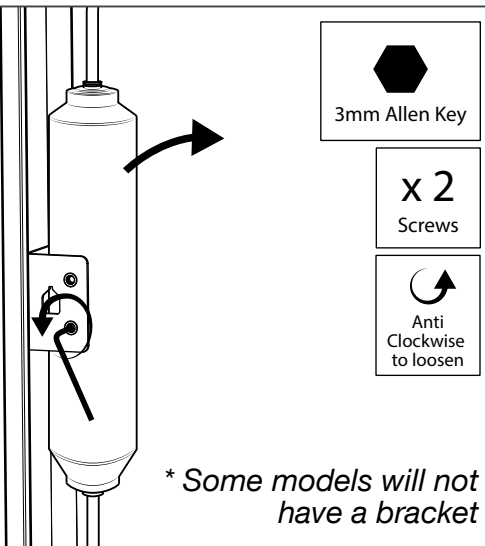
## ! Disconnect water supply

Disconnect or turn off the water supply.  
De-pressure the unit by pushing the buttons.

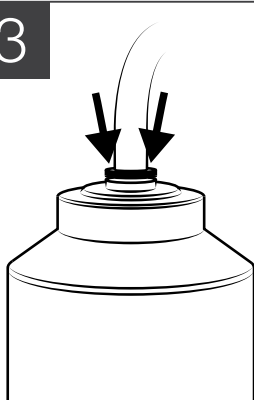
**1** \*Once a panel has been removed.  
Locate the filter inside the unit



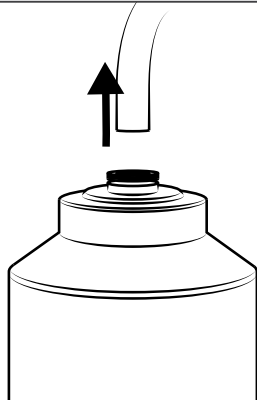
**2**



**3**



Press **down** on  
the locking ring

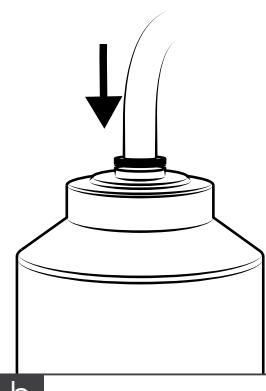


Pull **up** on the  
pipe to remove

**4**

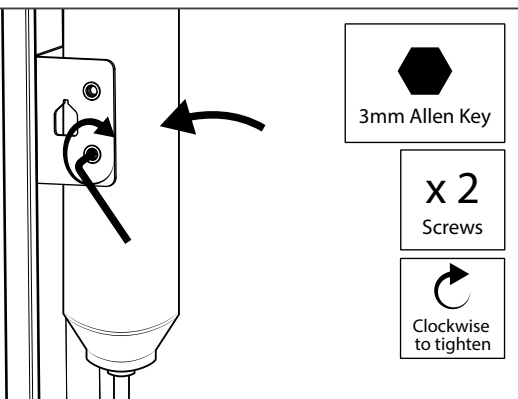


Check the water  
flow direction on  
the **new filter**



Push fit the  
correct pipes  
into the filter

**5**



## Once the new filter is installed

Connect the unit to a pressurized water  
source and check for any leaks.

\* If a leak is found turn off the water  
supply and check connections.

## ! First Flush

The first flush of water from the unit will be  
**Black** in colour.

This is normal and will disappear after a  
few seconds of water flow from the unit.

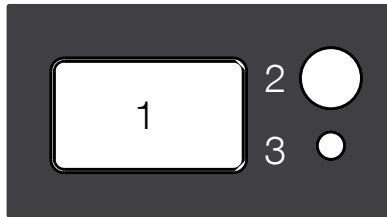


Reset Flow meter after filter change  
\* See flow meter instructions

# FLOW METER - INSTRUCTIONS

Each MeetPAT unit is fitted with a digital flow meter. This is set to count up the amount of liters that have flowed through the unit.

This is important so you know when to change the carbon cartridge (if in the unit), when a service is due and to provide valuable marketing data.



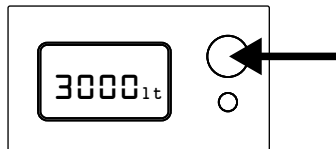
1. LCD Display
2. Display Button
3. Reset Button

*\*The flow meter will automatically turn on when there is water flowing through the sensor. It will automatically turn off in 10 seconds when there is no water flowing.*

## Reading the Display

Press the “DISPLAY” button once to display real-time flow rate.

Press the “DISPLAY” button again to display the total liter count up.

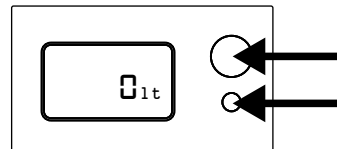


*\*The display will automatically turn off after a few seconds*

## Re-Setting

Press the “DISPLAY” button and the “RESET” button together for 4 seconds.

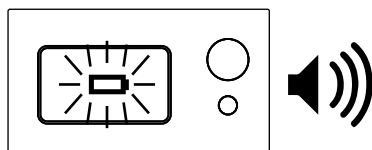
The unit will beep once reset.



*\*The display will automatically turn off after a few seconds*

## Beeping

When the battery is low, the buzzer will beep twice and the battery symbol blink to notify the user to change the battery.



## ! Attention

1. Do not spray water into or around the flow meter.
2. Be-careful to not damage the wires when removing the flow meter.
3. For replacement parts and troubleshooting please contact MeetPAT.

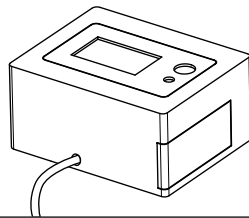
# FLOW METER - BATTERY CHANGE

## ! Record flow meter data

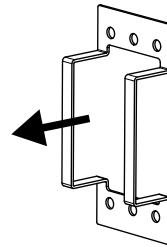
If still displayed, record the flow meter data. Once the batteries are removed this data can be lost.

## 1 \*Once a panel has been removed. Locate the flow meter inside the unit

*I look like this*



## 2



*\* Only portable models will have a bracket*

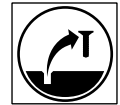


4mm Allen Key

x 4  
Screws

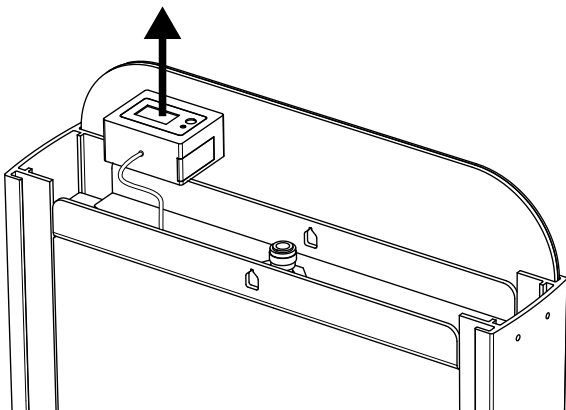


Anti  
Clockwise  
to loosen



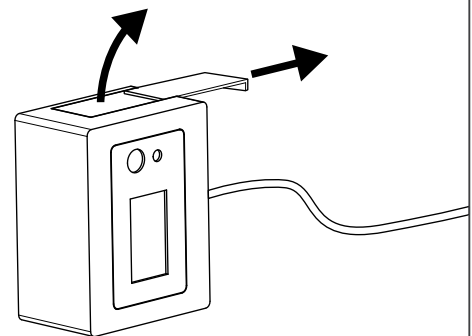
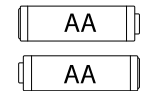
## 3

*\* Permanent model - flow meter lifts off bracket*



## 4

x 2



## Once batteries are installed

Attach the flow meter back into place. Check the unit is working by pressing the **display** button.

*\* If the display is not working check the battery positions and battery connections.*



MEET PAT™ | PRODUCTS AND THINGS PTY LTD | MEETPAT.COM.AU

HEAD OFFICE: LEVEL 1, 419 TOWNSEND STREET, ALBURY, NSW, 2640, AUSTRALIA

PHONE: (02) 60217813, +61260217813 EMAIL: SALES@MEETPAT.COM.AU

MEET PAT™ | MEET PAT LIMITED NZ | MEETPAT.CO.NZ

12 BETHLEHEM ROAD, BETHLEHEM, TAURANGA, 3100

All information and images contained in the document are © Meet PAT™ - Products and Things Pty Ltd (as a trustee for Meet Pat Unit Trust) or their respective owners. They are not be used without consent from Meet PAT™.

As improvements in the design and performance of Meet PAT products are continuous, specifications may be subject to change without notice. This technical sheet is copyright and owned by Meet PAT™ - Products and Things Pty Ltd (as a trustee for Meet Pat Unit Trust) ABN 42634465637. All rights are reserved. All products and sales are subject to Meet PAT™ terms and conditions.