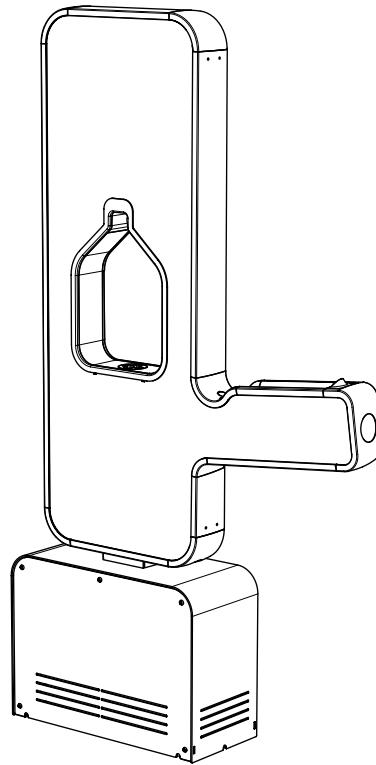




INDOOR "THE ONE" WATER BOTTLE REFILL AND DRINKING FOUNTAIN MP-T0-01-C



INFORMATION BOOKLET

DISCLAIMER AND SAFETY

Here at Meet PAT™ we are very safety conscious. We design and manufacture water related products with the safety of you, the user, foremost in mind. In addition, we ask that you exercise a degree of care when using any Meet PAT™ product.

IMPORTANT SAFEGUARDS FOR YOUR MEET PAT UNITS

- Carefully read all instructions before operation and save them for future reference.
- Find a suitable, stable location for the units.
- Do not set the units up near live exposed electrical connections or wiring.
- Check the quality and potability of the water source and that there is correct pressure.
- Set up all connections before turning on the water supply.
- Once the water supply is turned on check each unit's connections for leakages. If a leakage is found turn off the water supply and remove the pressure from the units by pressing the refill buttons. Unplug the leaking connection and check for damage or dirt. Do not use if any leaks are prevalent.
- Units can be heavy to install, use the appropriate number of people and equipment.
- Ensure the units are regularly cleaned and serviced.
- If applicable, ensure the water filters are replaced as required.

Meet PAT™ takes no responsibility for suitability of install location, clearance for traffic, pedestrians or other clearance requirements. Meet PAT™ recommends that the chosen locations are reviewed for OHS and suitable other parties (including council) to ensure compliance. Meet PAT™ takes no responsibility for the structural integrity of the mounting surface chosen and recommends consultation with an engineer or suitable other parties prior to mounting.

For individual material, component or further installation details, please contact Meet PAT™ sales. Meet PAT units have a maximum working pressure of 6 bar - 600kpa (87 psi/ 0.6MPa). Customer or installer to check water pressure and install pressure relief valve on supply side if required.

Meet PAT™ products must be installed in accordance with the provisions of AS/NZS3500 and any relevant local regulations. Installations not complying with AS/NZS3500 may void the product and performance warranty provisions.

All recommendations within this document should be used as a guide only. Users and installers should seek suitable assistance to ensure units comply with all standards and are safe for use.

CLEANING AND MAINTENANCE

When purchasing a Meet PAT product, we ask you the customer to “help us out”

Being an owner of a Meet PAT water station we ask you to look after and care for your water station through regular cleaning and maintenance. Often, public amenities (for example toilets) are regularly cleaned however public drinking fountains are often over looked! We want to change this.

We're aiming for the cleanest and most desirable water stations in the world and know that there is better adoption, user engagement and respect if they are well maintained. By following a few key steps in the installation (see Installation considerations) of your unit and having a cleaning plan in place. You will get the best out of your unit and increase the user satisfaction.

CLEANING RECOMMENDATIONS:

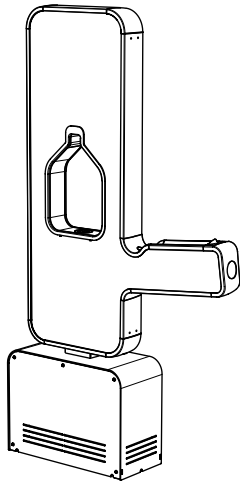
- Meet PAT recommends cleaning the unit every 2-4weeks (Subject to use and location).
- Clean and wipe down all external surfaces including mesh drainage area. Use a non-acidic, non-abrasive cleaner and a brush if required.
- Check base of graphics panel for any residual moisture or dirt. If required, remove panel as per unit instruction book, clean panel and base area of unit and check drain holes for blockages.
- Check that the buttons and unit is functioning properly Check the water is clean, clear and tasting great.

DETAILED SERVICE:

Meet PAT recommends a detail service every 6 -12months or 6000Lt of water – whichever is first.

This service should include:

- Change the flow meter batteries. (see flow meter instructions within unit instruction book)
- Detailed external and internal surfaces (including fittings) clean.
- Check drainage is working correctly
- Inspection of all the fittings and hosing. Replace any damaged or leaking parts.
- For additional safeguard, flush lines with diluted hydrogen peroxide solution or similar. We recommend using a Meet PAT cleaning kit to maintain product warranty.
- Change the filter (if installed in the unit) - (refer to filter replacement guide within unit instruction book)



PERMANENT "THE ONE" WATER STATION WITH CHILLER

"The One" is an all in one bottle refill and drinking fountain. Incorporating both a water bottle refill station and drinking fountain with beautiful uninterrupted graphics and the added benefit of cool, fresh water. "The One" incorporates Meet PAT's revolutionary system that provides fresh drinking water to sporting events, schools and festivals can now be securely and permanently installed.

Water Window and Catch

Symbolic shape constructed from aluminium and marine grade stainless steel. Hygienic easy clean with replaceable drain cover.

Tough and Strong

// Chassis is 5mm thick galvanised and powder coated steel hidden within the units.
 // Graphics panels are made from clear high impact, spray paint, uv and scratch resistant polycarbonate sheet.
 // The external chassis is made from heavy duty aluminium, powder coated with dulux industrial coating with marine grade 316 stainless steel components.

Water Chiller

Waterworks IC8 built in water chiller. Enjoy the benefits of cool refreshing water.

Water Meter

Inbuilt digital water flow meter with read out. See how much water is consumed or plastic bottles saved during an event.

Wheel Chair Accessible

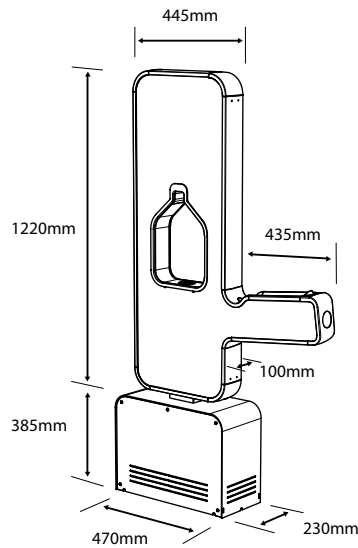
Lower, easy to press stainless steel taps and accessible drinking nozzles. Dual sided and compliant with AS 1428.1 2009

PAT Connect

Every PAT can be fitted with a wifi and bluetooth beacons as an optional extra. This allows users to engage with specific data, tailored push notification and location information.

Graphics Panels

Removable and interchangeable branding. Each unit comes standard with custom printed artwork. Meet PAT provides artwork templates for your team to prepare or alternatively we can help.

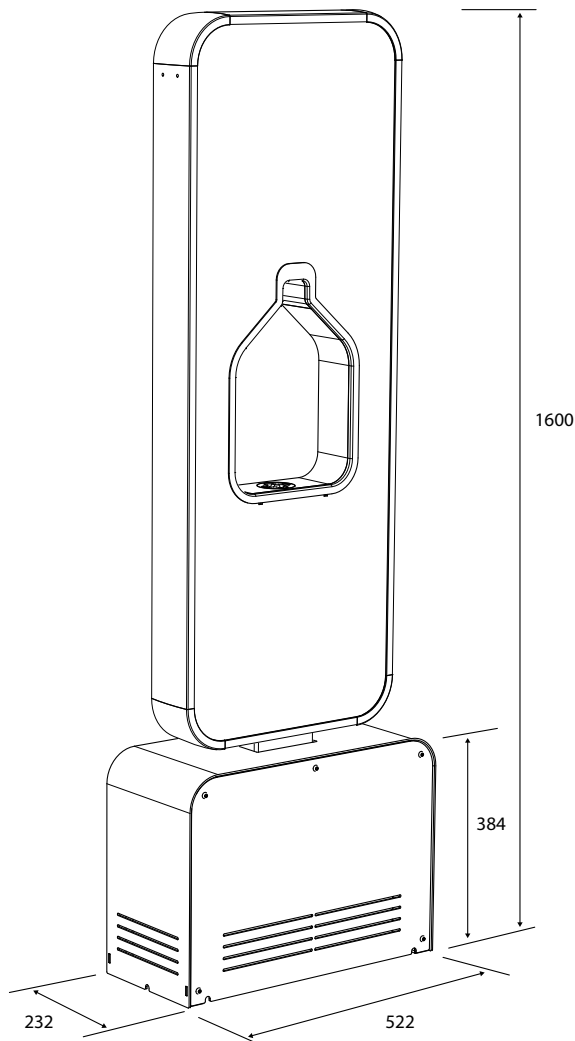


MP-TO-01-C

REGULAR

| | |
|--------------------------------|--|
| Mounting Options | 1. Fixed at base 2. Edge mounted |
| Indoor | Suitable for indoor applications only. |
| Tapware/Push Buttons | 316 stainless steel Easy-press stainless steel buttons. |
| Versatile | PAT permanent can mount over the existing tap or outlet. Optional water outlet can be included the base of the unit accessible via security tap (key) on side of unit. |
| Chassis | Aluminium and galvanised mild steel |
| Graphics Panels | Polycarbonate. Custom printing supplied as standard. |
| Base Bollard | Powder coated mild steel. M10 Screws. Plate size: 280 x 220mm |
| Nozzle | 316 stainless steel |
| Water Pressure | Max. 600kpa operating pressure |
| Filter | 5 micron carbon filter |
| Flow Rate | 5L per minute (pressure dependent) |
| Flow Meter | Digital in litres |
| Chilling Speed | From 29 deg C to 10 deg C in 21.6 min |
| Chilling Capacity | ~6 litres per hour |
| Electrical | 240 Volts, 50 Hz, 10 Amp Single Phase. (1.8 meter electrical cord) |
| Water Supply Connection | 1/2" inch supply line with 1/2" inch male compression fitting |
| Drainage | 50mm PVC preferred (drainage can be customised based on location). |
| Warranty | 3 Year (refer to Meet PAT warranty documentation for details) |

Meet PAT™ products must be installed in accordance with the provisions of AS/NZS3500 and any relevant local regulations. Installations not complying with AS/NZS3500 may void the product and performance warranty provisions. All information and images contained in the document are © Meet PAT™ - Products and Things Pty Ltd (as a trustee for Meet Pat Unit Trust) or their respective owners. They are not to be used without consent from Meet PAT™. As improvements in the design and performance of Meet PAT products are continuous, specifications may be subject to change without notice. This technical sheet is copyright and owned by Meet PAT™ - Products and Things Pty Ltd (as a trustee for Meet Pat Unit Trust) ABN 42634465637. All rights are reserved.



MP Chiller Stand

Reference size for suitable placement

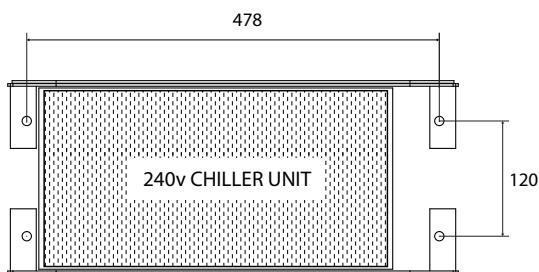
240v Chiller

The unit comes with a 240v water chiller unit mounted in the base. This unit plugs directly into an existing 240v wall plug. The unit is supplied with a 1m cable.

Fixings

Preferred, Ramset 063100 - M12 threaded inserts (not supplied) or installer to use suitable alternative. Drill hole size to be as per suitable fixings.

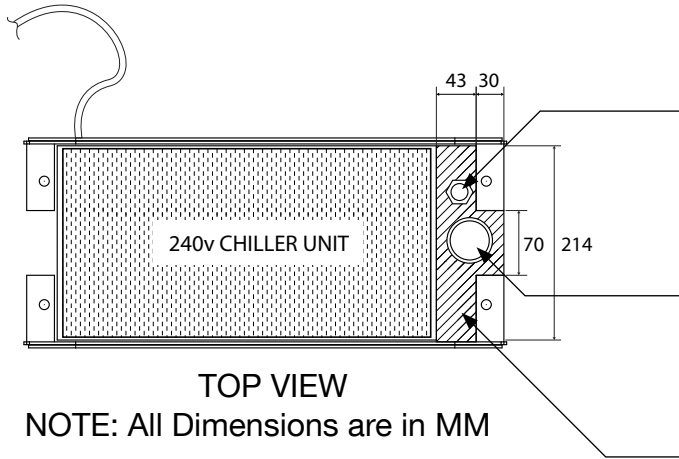
NOTE: All Dimensions are in MM



**TOP VIEW
HOLE PLACEMENT FOR DIRECT MOUNTING**

MP-RS-01-C - INDOOR CHILLER- BASE PLUMBING - INSTALLATION

Direct mounting where unit is fastened directly to concrete slab or other suitable surface



Water Supply Connection

½" inch supply line with ½" inch male compression fitting 200-250mm from ground preferred.

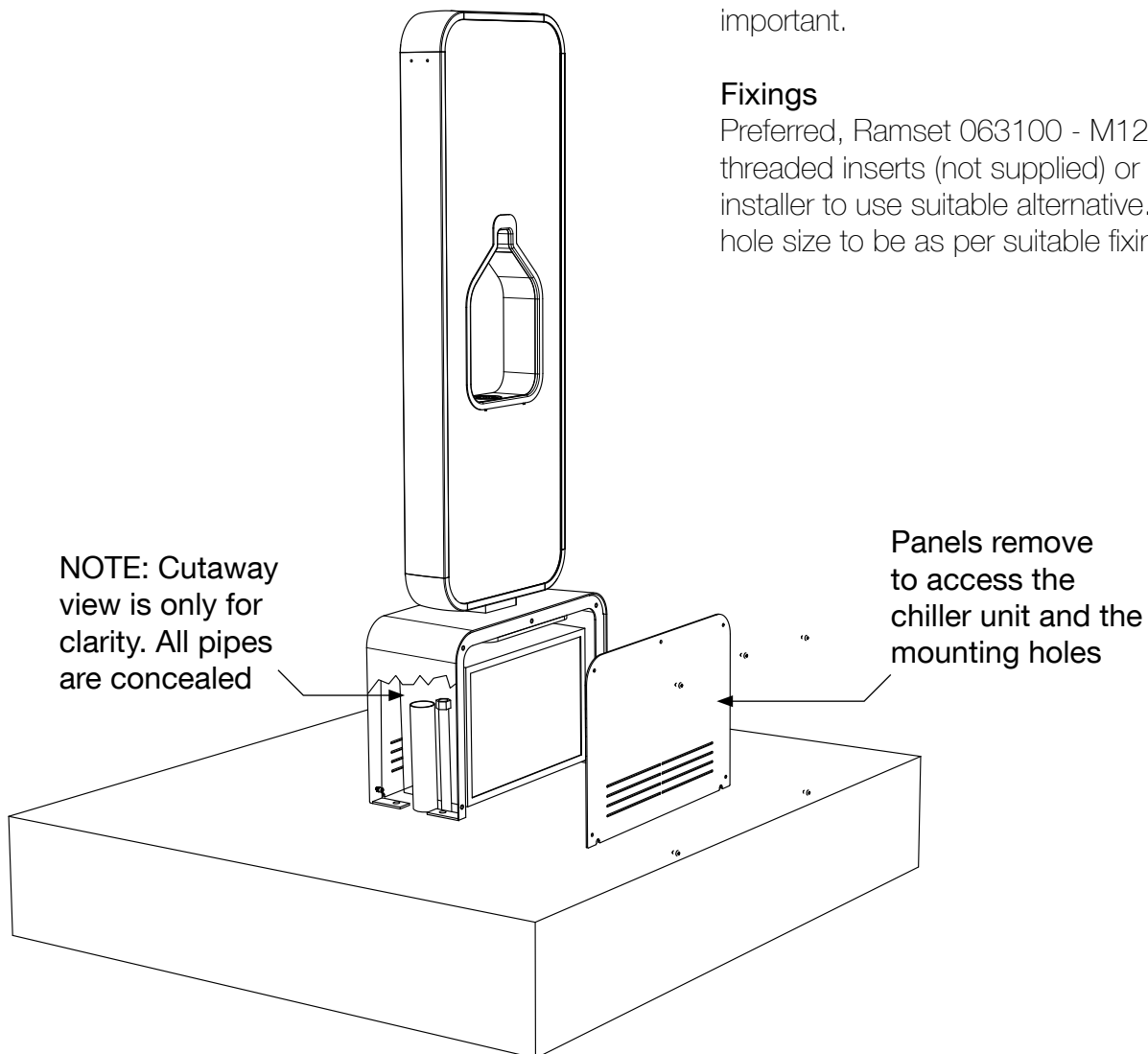
Drainage

50mm PVC preferred (drainage can be customised based on location)

NOTE: Water Supply and Drainage connection cannot exceed outside of this area. Piping orientation not important.

Fixings

Preferred, Ramset 063100 - M12 threaded inserts (not supplied) or installer to use suitable alternative. Drill hole size to be as per suitable fixings.



MP-RS-01-C - INDOOR CHILLER- REAR PLUMBING - INSTALLATION

Direct mounting where unit is fastened directly to concrete slab or other suitable surface

Drainage

50mm PVC preferred (location can be placed anywhere in the defined area)

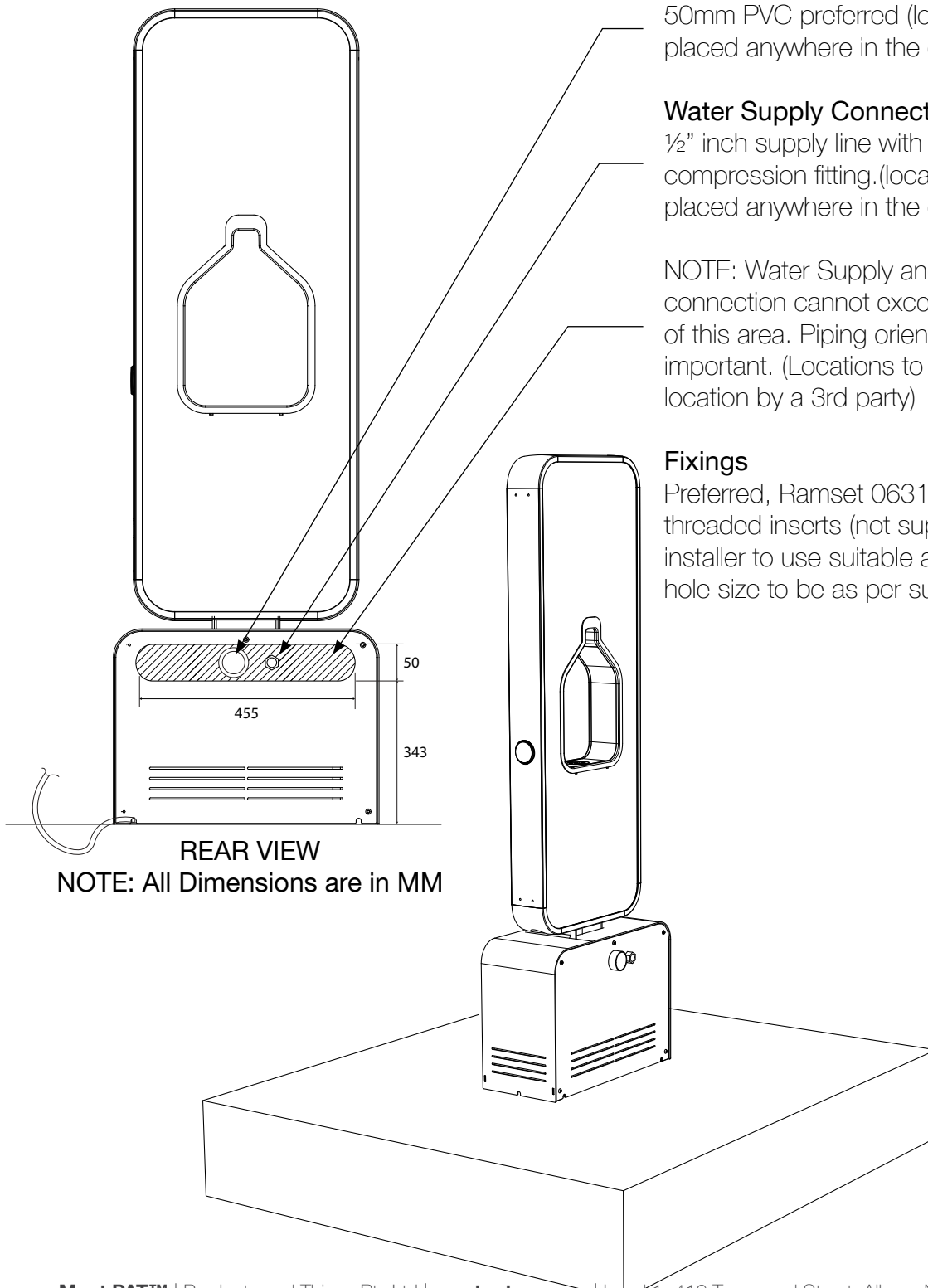
Water Supply Connection

½" inch supply line with ½" inch male compression fitting.(location can be placed anywhere in the defined area)

NOTE: Water Supply and Drainage connection cannot exceed outside of this area. Piping orientation not important. (Locations to be cutout on location by a 3rd party)

Fixings

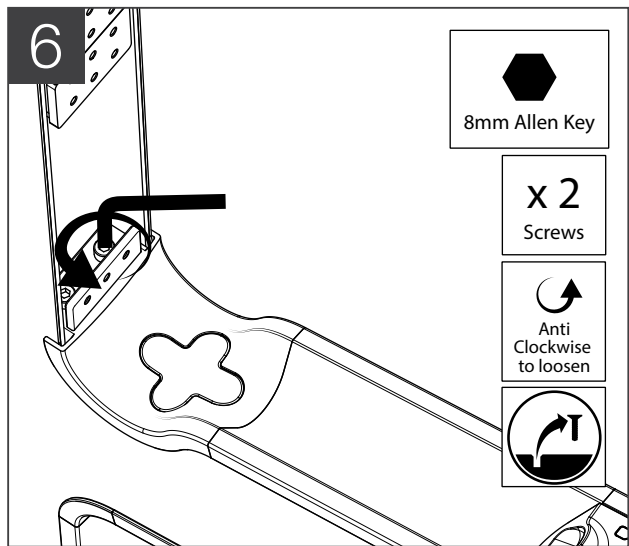
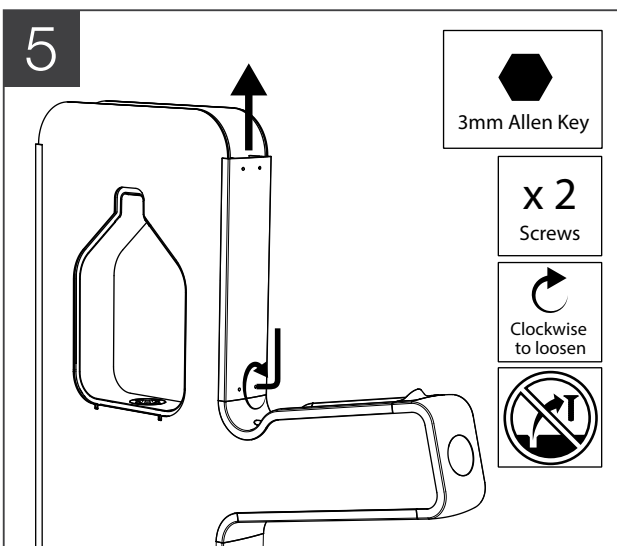
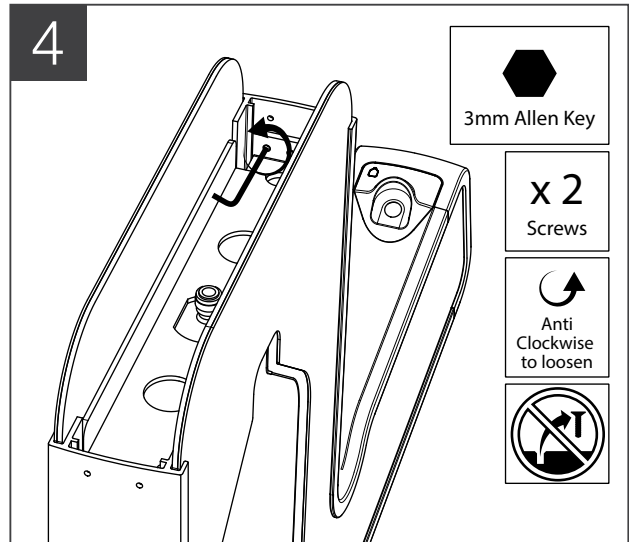
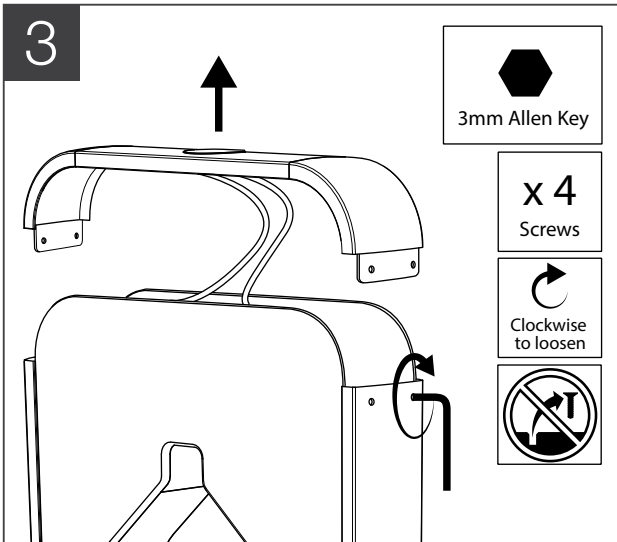
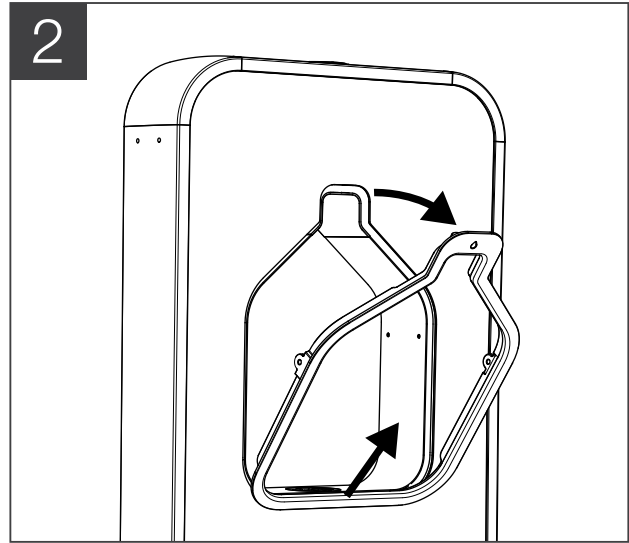
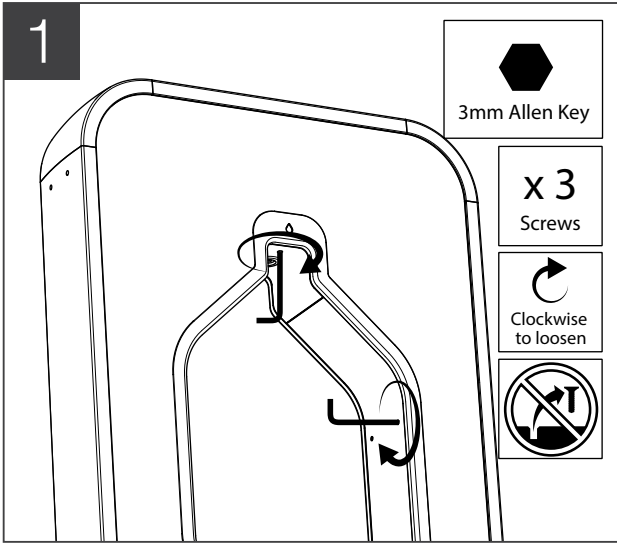
Preferred, Ramset 063100 - M12 threaded inserts (not supplied) or installer to use suitable alternative. Drill hole size to be as per suitable fixings.



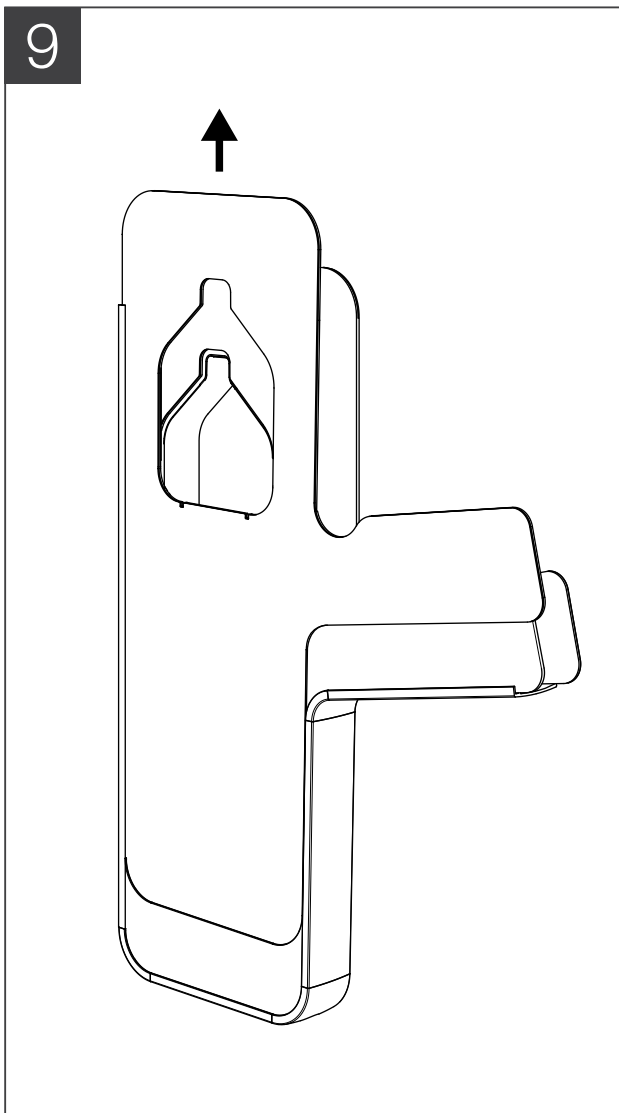
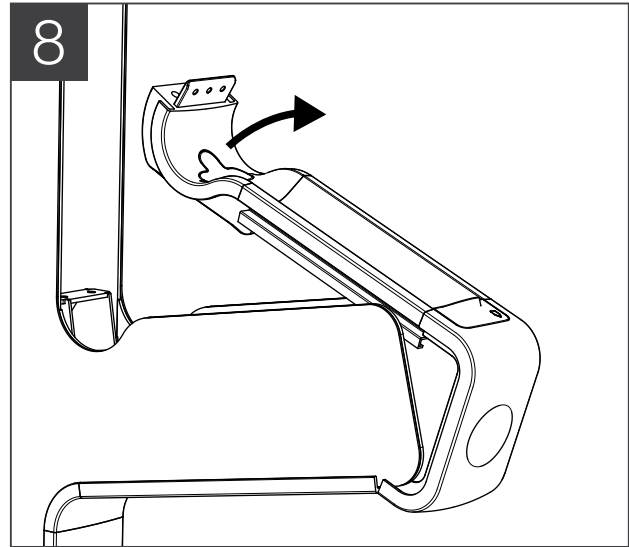
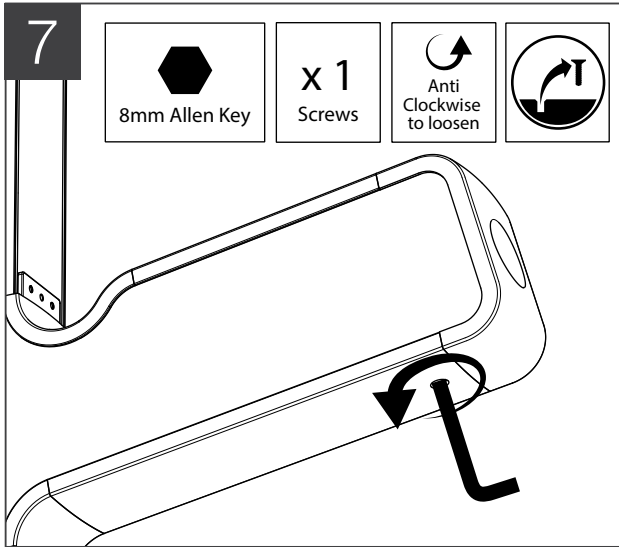
REAR VIEW

NOTE: All Dimensions are in MM

PANEL REPLACEMENT



PANEL REPLACEMENT



Putting it back together

All finished and need to put the unit back together?

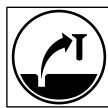
Follow the steps in reverse

9,8, → 4,3,2,1

** Remember to reattach any water pipes disconnected during disassembly.*



Only 3-4 turns to loosen do not unscrew completely.



Remove screw completely.

FILTER REPLACEMENT

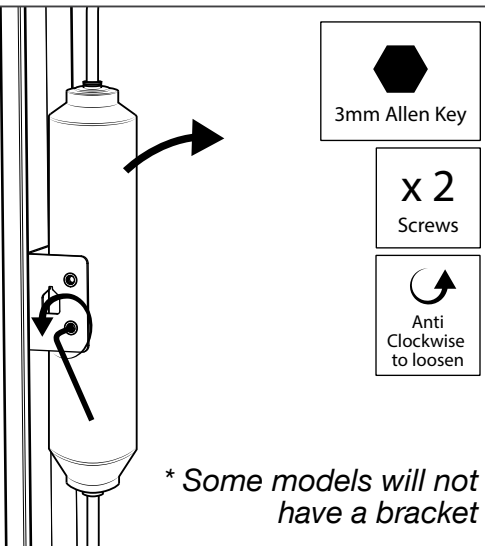
! Disconnect water supply

Disconnect or turn off the water supply.
De-pressure the unit by pushing the buttons.

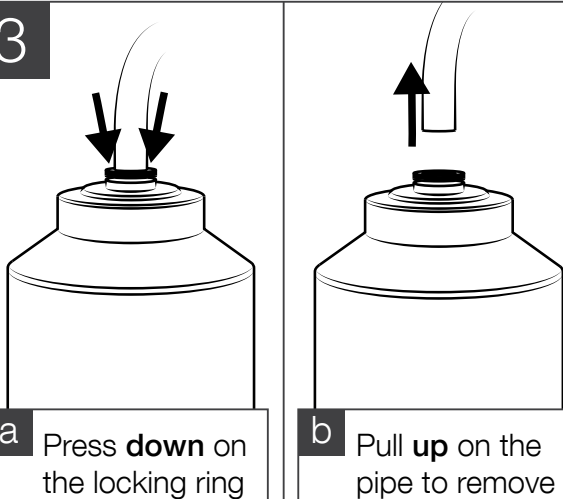
1 *Once a panel has been removed.
Locate the filter inside the unit



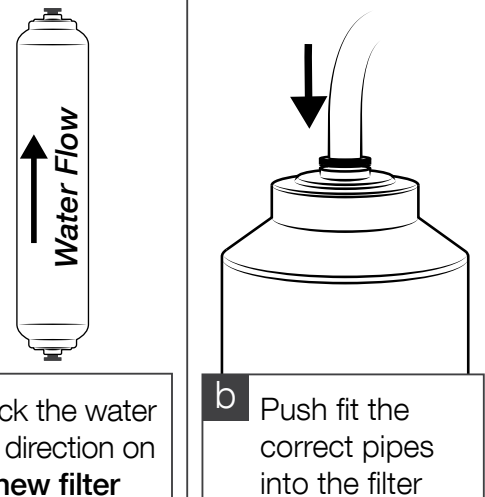
2



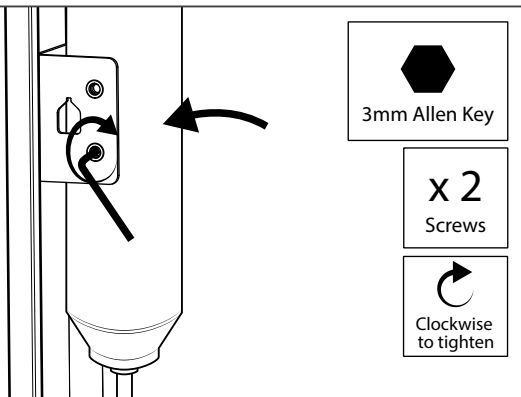
3



4



5



Once the new filter is installed

Connect the unit to a pressurized water source and check for any leaks.

* If a leak is found turn off the water supply and check connections.

! First Flush

The first flush of water from the unit will be **Black** in colour.

This is normal and will disappear after a few seconds of water flow from the unit.



Reset Flow meter after filter change
* See flow meter instructions

FLOW METER - INSTRUCTIONS

Each MeetPAT unit is fitted with a digital flow meter. This is set to count up the amount of liters that have flowed through the unit.

This is important so you know when to change the carbon cartridge (if in the unit), when a service is due and to provide valuable marketing data.



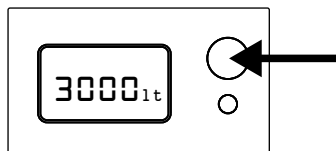
1. LCD Display
2. Display Button
3. Reset Button

**The flow meter will automatically turn on when there is water flowing through the sensor. It will automatically turn off in 10 seconds when there is no water flowing.*

Reading the Display

Press the “DISPLAY” button once to display real-time flow rate.

Press the “DISPLAY” button again to display the total liter count up.

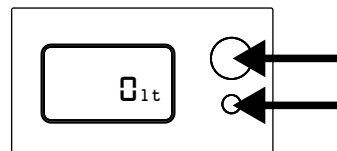


**The display will automatically turn off after a few seconds*

Re-Setting

Press the “DISPLAY” button and the “RESET” button together for 4 seconds.

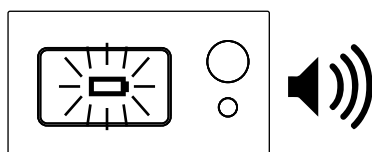
The unit will beep once reset.



**The display will automatically turn off after a few seconds*

Beeping

When the battery is low, the buzzer will beep twice and the battery symbol blink to notify the user to change the battery.



! Attention

1. Do not spray water into or around the flow meter.
2. Be-careful to not damage the wires when removing the flow meter.
3. For replacement parts and troubleshooting please contact MeetPAT.

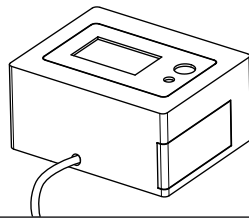
FLOW METER - BATTERY CHANGE

! Record flow meter data

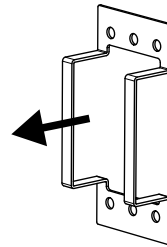
If still displayed, record the flow meter data. Once the batteries are removed this data can be lost.

1 *Once a panel has been removed. Locate the flow meter inside the unit

I look like this



2



** Only portable models will have a bracket*



4mm Allen Key

x 4
Screws

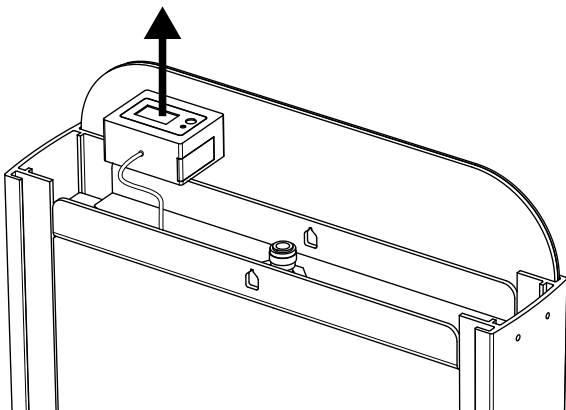


Anti
Clockwise
to loosen



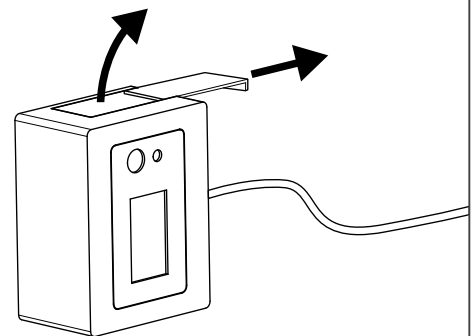
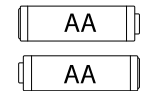
3

** Permanent model - flow meter lifts off bracket*



4

x 2



Once batteries are installed

Attach the flow meter back into place. Check the unit is working by pressing the **display** button.

** If the display is not working check the battery positions and battery connections.*



MEET PAT™ | PRODUCTS AND THINGS PTY LTD | MEETPAT.COM.AU

HEAD OFFICE: LEVEL 1, 419 TOWNSEND STREET, ALBURY, NSW, 2640, AUSTRALIA

PHONE: (02) 60217813, +61260217813 EMAIL: SALES@MEETPAT.COM.AU

MEET PAT™ | MEET PAT LIMITED NZ | MEETPAT.CO.NZ

12 BETHLEHEM ROAD, BETHLEHEM, TAURANGA, 3100

All information and images contained in the document are © Meet PAT™ - Products and Things Pty Ltd (as a trustee for Meet Pat Unit Trust) or their respective owners. They are not be used without consent from Meet PAT™.

As improvements in the design and performance of Meet PAT products are continuous, specifications may be subject to change without notice. This technical sheet is copyright and owned by Meet PAT™ - Products and Things Pty Ltd (as a trustee for Meet Pat Unit Trust) ABN 42634465637. All rights are reserved. All products and sales are subject to Meet PAT™ terms and conditions.