

## PERMANENT "THE ONE" WATER STATION

**"The One" is an all in one bottle refill and drinking fountain. Incorporating both a water bottle refill station and drinking fountain with beautiful uninterrupted graphics. "The One" incorporates Meet PAT's revolutionary system that provides fresh drinking water to sporting events, schools and festivals can now be securely and permanently installed.**

---

### **Water Window and Catch**

Symbolic shape constructed from aluminium and marine grade stainless steel. Hygienic easy clean with replaceable drain cover.

---

### **Tough and Strong**

// Chassis is 5mm thick galvanised and powder coated steel hidden within the units.  
// The units are mounted to a 8mm powder coated steel bollard.  
// Graphics panels are made from clear high impact, spray paint, uv and scratch resistant polycarbonate sheet.

### **Vandal and Graffiti Proof**

// The graphics are back printed to prevent scratching on the front face and can be recycled after use.  
// The external chassis is made from heavy duty aluminium, powder coated with dulux industrial coating with marine grade 316 stainless steel components.

---

### **Water Meter**

Inbuilt digital water flow meter with read out. See how much water is consumed or plastic bottles saved during an event.

---

### **Wheel Chair Accessible**

Lower, easy to press stainless steel taps and accessible drinking nozzles. Dual sided and compliant with AS 1428.1 2009

---

### **PAT Connect**

Every PAT can be fitted with a wifi and bluetooth beacons as an optional extra. This allows users to engage with specific data, tailored push notification and location information.

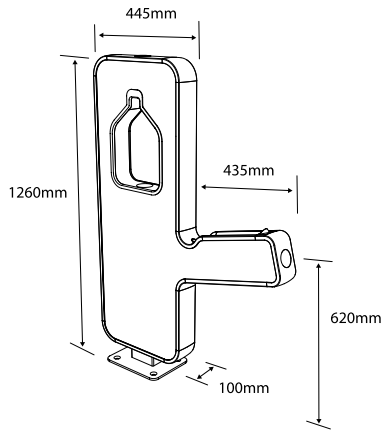
---

### **Graphics Panels**

Removable and interchangeable branding. Each unit comes standard with custom printed artwork. Meet PAT provides artwork templates for your team to prepare or alternatively we can help.

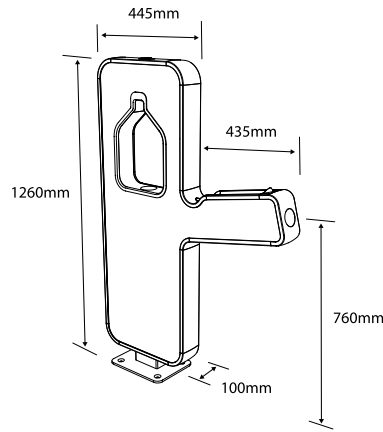
---

# TECHNICAL DATA



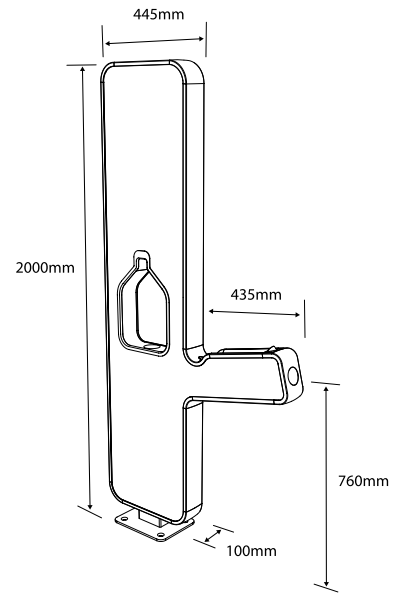
**MP-TO-01-K**

KIDS



**MP-TO-01**

REGULAR



**MP-TO-01-T**

TALL

**Mounting Options**

1. Fixed at base
2. Edge mounted

**Indoor/Outdoor**

Suitable for both indoor and outdoor applications.

**Tapware/Push Buttons**

316 stainless steel Easy-press stainless steel buttons.

**Versatile**

PAT permanent can mount over the existing tap or outlet. Optional water outlet can be included the base of the unit accessible via security tap (key) on side of unit.

**Chassis**

Aluminium and galvanised mild steel

**Graphics Panels**

Polycarbonate. Custom printing supplied as standard.

**Base Bollard**

Powder coated mild steel. M10 Screws. Plate size: 280 x 220mm

**Nozzle**

316 stainless steel

**Water Pressure**

Max. 600kpa operating pressure

**Filter**

5 micron carbon filter

**Flow Rate**

5L per minute (pressure dependent)

**Power**

None

**Flow Meter**

Digital in litres

**Minimum Working Temp**

1°C

**Water Supply Connection**

1/2" inch supply line with 1/2" inch male compression fitting

**Drainage**

50mm PVC preferred (drainage can be customised based on location).

**Warranty**

3 Year (refer to Meet PAT warranty documentation for details)

Meet PAT™ products must be installed in accordance with the provisions of AS/NZS3500 and any relevant local regulations. Installations not complying with AS/NZS3500 may void the product and performance warranty provisions. All information and images contained in the document are © Meet PAT™ - Products and Things Pty Ltd (as a trustee for Meet Pat Unit Trust) or their respective owners. They are not be used without consent from Meet PAT™. As improvements in the design and performance of Meet PAT products are continuous, specifications may be subject to change without notice. This technical sheet is copyright and owned by Meet PAT™ - Products and Things Pty Ltd (as a trustee for Meet Pat Unit Trust) ABN 42634465637. All rights are reserved.