



20190528\_MP\_PBRS\_V05

**1300mm Bottle Refill**  
Permanent Bottle Refill Station  
Model Number: MP-RS-01

\*Press button model shown

meet **pat**®

# 1300mm Bottle Refill

Permanent Bottle Refill Station

**Amazing data!**  
Remote monitoring, leak detection.  
Easily obtain usage figures,  
scheduled reporting (daily, weekly,  
monthly) and sustainability  
information.

**Graphics & branding**  
with endless opportunities.  
Interchangeable branding.

**Water window** that is  
accessible from both sides.  
Unique bottle rest to allow single  
handed operation.



**Splash reducing** mesh  
drain cover

**Tough skin & strong bones**  
with a heavy duty chassis, impact  
proof graphics panels and steel  
bollard. 316 marine grade stainless  
steel components.



**"No touch" nozzle design**  
prevents bottle rim from coming  
in contact with the nozzle.

**Button options**

-  **Touch free**  
sensor activation
-  **Easy press**  
stainless steel

# 1300mm Bottle Refill

## Permanent Bottle Refill Station

Beautiful, strong and modern. The tamper proof permanent water station is thoughtfully designed for ease of use and maintenance.

**Model:** MP-RS-01

**Dimensions:** 1260H x 445W x 100D

### Key Features

- Multiple mounting options (catering for different budgets and applications)
- Versatile indoor/outdoor applications
- Unique back printed polycarbonate graphic panels
- Drainage system eliminates standing water
- Bottle rest / single handed use
- Dulux industrial coatings (10 year outdoor)
- Heavy duty chassis and internal frame
- Anti bacterial stainless steel nozzles and buttons
- Easy to clean and service
- Accessibility - Designed with DDA features (refer guidelines)



Remote data monitoring



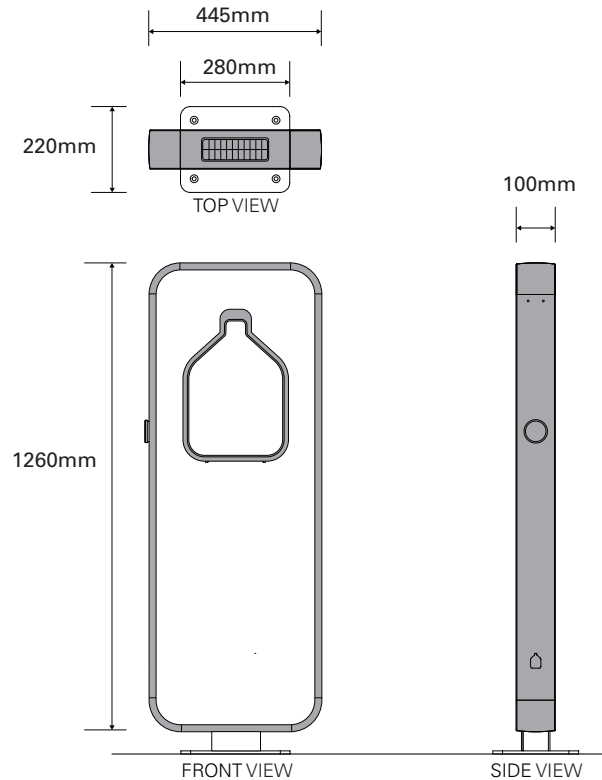
Child friendly design / Soft touch or Touch free activation & lower side taps



Watermarked WMTS105:2016 to Australian Standards

### Additional Options

- Dog Drinking Bowl
- Sub Surface Drainage Pit



### Technical Information

Tapware/Push Buttons	1x Easy press stainless steel (316) button   Located on side
Tapware/Sensor	1x Infrared sensor. UV stable impact resistant lense. 4x AA batteries   Located on side
Chassis	Aluminium and galvanised/powdercoated mild steel
Base Bollard	Galvanised mild steel. M12 Screws   Plate size: 280 x 220mm
Nozzle	316 stainless steel
Water Pressure	Max. 500kpa operating pressure
Flow Rate	4L per minute (pressure dependent)
Filter	5 micron carbon filter installed as standard
Minimum Working Temp	1°C - lagging can be included for high/low temperature installations
Water Supply Connection	1/2" inch supply line with 1/2" inch male compression fitting
Drainage	40mm PVC preferred (drainage can be customised based on location)
Footing Size (minimum)	780mm x 780mm x 200mm deep   780mm x 1100mm x 200mm deep (MP-DB-02)
Weight	43kgs
Packed size	133cm length x 49cm wide x 25cm high
Warranty	3 Year (refer to Meet PAT warranty documentation for details)

Meet Pat™ | Products and Things Pty Ltd | [meetpat.com.au](http://meetpat.com.au)

Phone: (02) 6021 0300, +612 6021 0300 Email: [sales@meetpat.com.au](mailto:sales@meetpat.com.au)

All information and images contained in the document are © Meet PAT™ - Products and Things Pty Ltd or their respective owners. They are not be used without consent from Meet PAT™. As improvements in the design and performance of Meet PAT products are continuous, specifications may be subject to change without notice. This technical sheet is copyright and owned by Meet PAT™ - Products and Things Pty Ltd ABN 42163544278. All rights are reserved. All products and sales are subject to Meet PAT™ terms and conditions.