



*Press button model shown

20190528_MP_PPDF_V05

Drinking Fountain
Permanent Drinking Fountain
Model Number: MP-DF-01

meet **pat**®

Drinking Fountain

Permanent Drinking Fountain

Drinking fountain nozzle design that stops objects being inserted into the outlet. Stainless steel splash guard with custom hood prevents direct contact with nozzle.

Unique open drain design minimises rubbish and debris blocking the drain. Incorporates a splash reducing mesh cover.

Button options



Touch free
sensor activation



Easy press
stainless steel

Graphics & branding with endless opportunities. Interchangeable branding.

make tap
water your
drink

Tough skin & strong bones with a heavy duty chassis, impact proof graphics panels and steel bollard. 316 marine grade stainless steel components.

Drinking Fountain

Permanent Drinking Fountain

Beautiful, strong and modern. The tamper proof permanent water station is thoughtfully designed for ease of use and maintenance.

Model: MP-DF-01

Dimensions: 850H x 500W x 100D

Key Features

- Multiple mounting options (catering for different budgets and applications)
- Versatile indoor/outdoor applications
- Unique back printed polycarbonate graphic panels
- Drainage system eliminates standing water
- Dulux industrial coatings (10 year outdoor)
- Heavy duty chassis and internal frame
- Anti bacterial stainless steel nozzles and buttons
- Easy to clean and service
- Accessibility - Designed with DDA features (refer guidelines)



Remote data monitoring



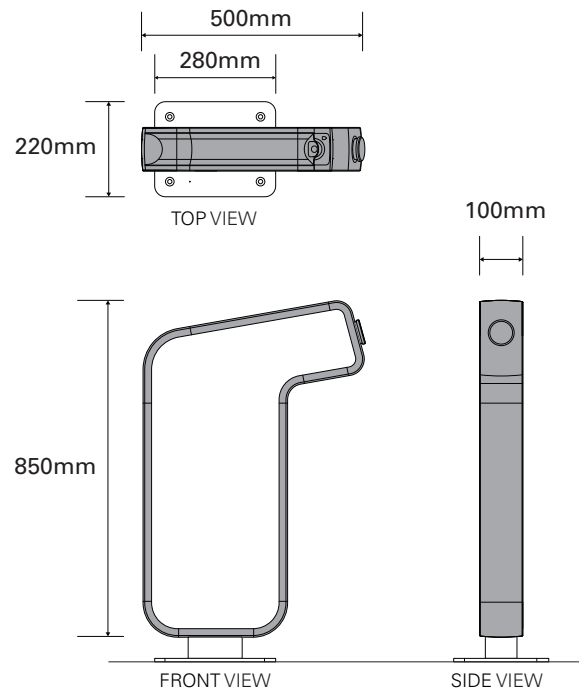
Child friendly design / Soft touch or Touch free activation & lower side taps



Watermarked WMTS105:2016 to Australian Standards

Additional Options

- Dog Drinking Bowl
- Sub Surface Drainage Pit



Technical Information

Tapware/Push Buttons	1x Easy press stainless steel (316) button Located on arm
Tapware/Sensor	1x Infrared sensor. UV stable impact resistant lense. 4x AA batteries Located on arm
Chassis	Aluminium and galvanised/powdercoated mild steel
Base Bollard	Galvanised mild steel. M12 Screws Plate size: 280 x 220mm
Nozzle	316 stainless steel
Water Pressure	Max. 500kpa operating pressure
Flow Rate	4L per minute (pressure dependent)
Filter	5 micron carbon filter installed as standard
Minimum Working Temp	1°C - lagging can be included for high/low temperature installations
Water Supply Connection	1/2" inch supply line with 1/2" inch male compression fitting
Drainage	40mm PVC preferred (drainage can be customised based on location)
Footing Size (minimum)	780mm x 780mm x 200mm deep 780mm x 1100mm x 200mm deep (MP-DB-02)
Weight	25kgs
Packed size	92cm length x 60cm wide x 25cm high
Warranty	3 Year (refer to Meet PAT warranty documentation for details)

Meet Pat™ | Products and Things Pty Ltd | meetpat.com.au

Phone: (02) 6021 0300, +612 6021 0300 Email: sales@meetpat.com.au

All information and images contained in the document are © Meet PAT™ - Products and Things Pty Ltd or their respective owners. They are not be used without consent from Meet PAT™. As improvements in the design and performance of Meet PAT products are continuous, specifications may be subject to change without notice. This technical sheet is copyright and owned by Meet PAT™ - Products and Things Pty Ltd ABN 42163544278. All rights are reserved. All products and sales are subject to Meet PAT™ terms and conditions.