



20190829_MP_PBTOT_V05

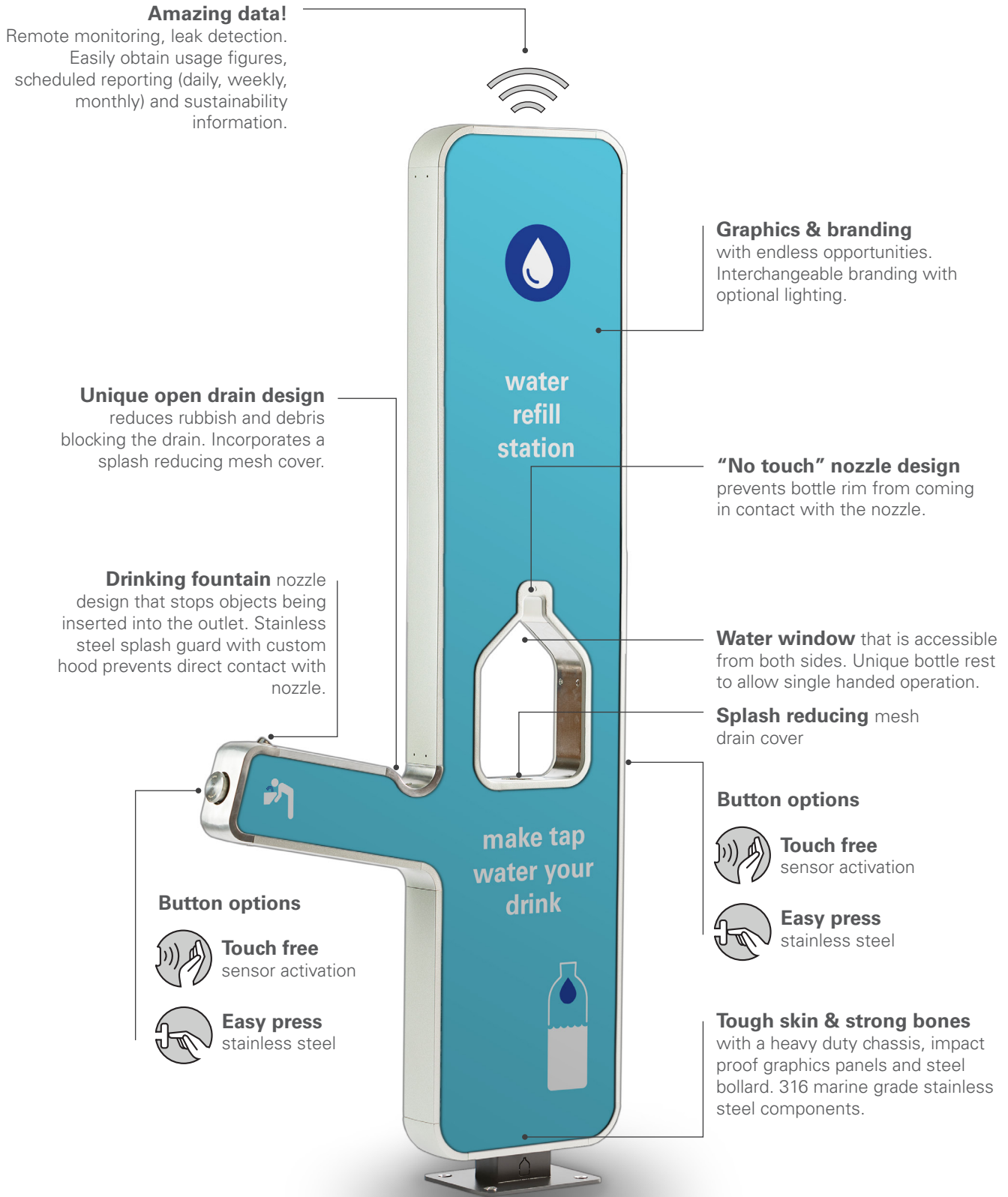
*Press button model shown

1900mm The One
Permanent Bottle Refill Station and Drinking Fountain
Model Number: MP-TO-01-T / MP-TO-01-TL

meetpat®

1900mm The One

Permanent Bottle Refill Station and Drinking Fountain



1900mm The One

Permanent Bottle Refill Station and Drinking Fountain

Beautiful, strong and modern. The tamper proof permanent water station is thoughtfully designed for ease of use and maintenance.

Model: MP-TO-01-T / MP-TO-01-TL

Dimensions: 1960H x 880W x 100D

Key Features

- Multiple mounting options (catering for different budgets and applications)
- Versatile indoor/outdoor applications
- Unique back printed polycarbonate graphic panels
- Drainage system eliminates standing water
- Bottle rest / single handed use
- Dulux industrial coatings (10 year outdoor)
- Heavy duty chassis and internal frame
- Anti bacterial stainless steel nozzles and buttons
- Easy to clean and service
- Accessibility - Designed with DDA features (refer guidelines)
- Solar lighting (model: MP-TO-01-TL only)



Remote data monitoring



Child friendly design / Soft touch or Touch free activation & lower side taps



Watermarked WMTS105:2016 to Australian Standards

Additional Options

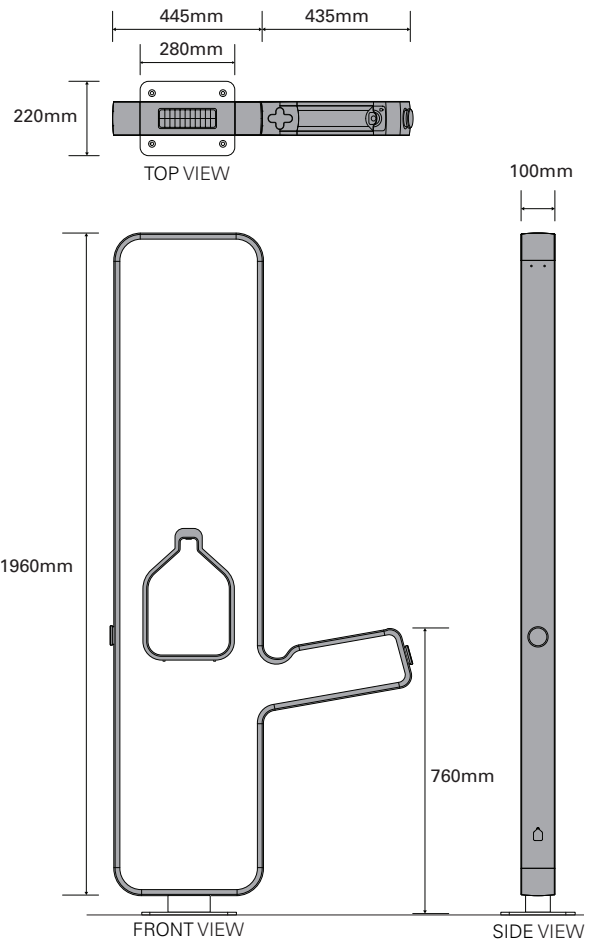
- Dog Drinking Bowl
- Sub Surface Drainage Pit

Technical Information

Tapware/Push Buttons	2x Easy press stainless steel (316) buttons Located on side & arm
Tapware/Sensor	2x Infrared sensors. UV stable impact resistant lense. 4x AA batteries Located on side & arm
Chassis	Aluminium and galvanised/powdercoated mild steel
Base Bollard	Galvanised mild steel. M12 Screws Plate size: 280 x 220mm
Nozzle	316 stainless steel
Water Pressure	Max. 500kpa operating pressure
Flow Rate	4L per minute (pressure dependent)
Filter	5 micron carbon filter installed as standard
Minimum Working Temp	1°C - lagging can be included for high/low temperature installations
Water Supply Connection	1/2" inch supply line with 1/2" inch male compression fitting
Drainage	40mm PVC preferred (drainage can be customised based on location)
Footing Size (minimum)	780mm x 780mm x 200mm deep 780mm x 1100mm x 200mm deep (MP-DB-02)
Weight	53kgs
Packed size	210cm length x 94cm wide x 25cm high
Lighting	Low voltage solar with low light sensors model: MP-TO-01-TL
Warranty	3 Year (refer to Meet PAT warranty documentation for details)

Meet Pat™ | Products and Things Pty Ltd | meetpat.com.au

Phone: (02) 6021 0300, +612 6021 0300 Email: sales@meetpat.com.au



All information and images contained in the document are © Meet PAT™ - Products and Things Pty Ltd or their respective owners. They are not be used without consent from Meet PAT™. As improvements in the design and performance of Meet PAT products are continuous, specifications may be subject to change without notice. This technical sheet is copyright and owned by Meet PAT™ - Products and Things Pty Ltd ABN 42163544278. All rights are reserved. All products and sales are subject to Meet PAT™ terms and conditions.